

**SINGER**  
**45K68,K69,K71**

Form K5956  
(Supersedes K3351)

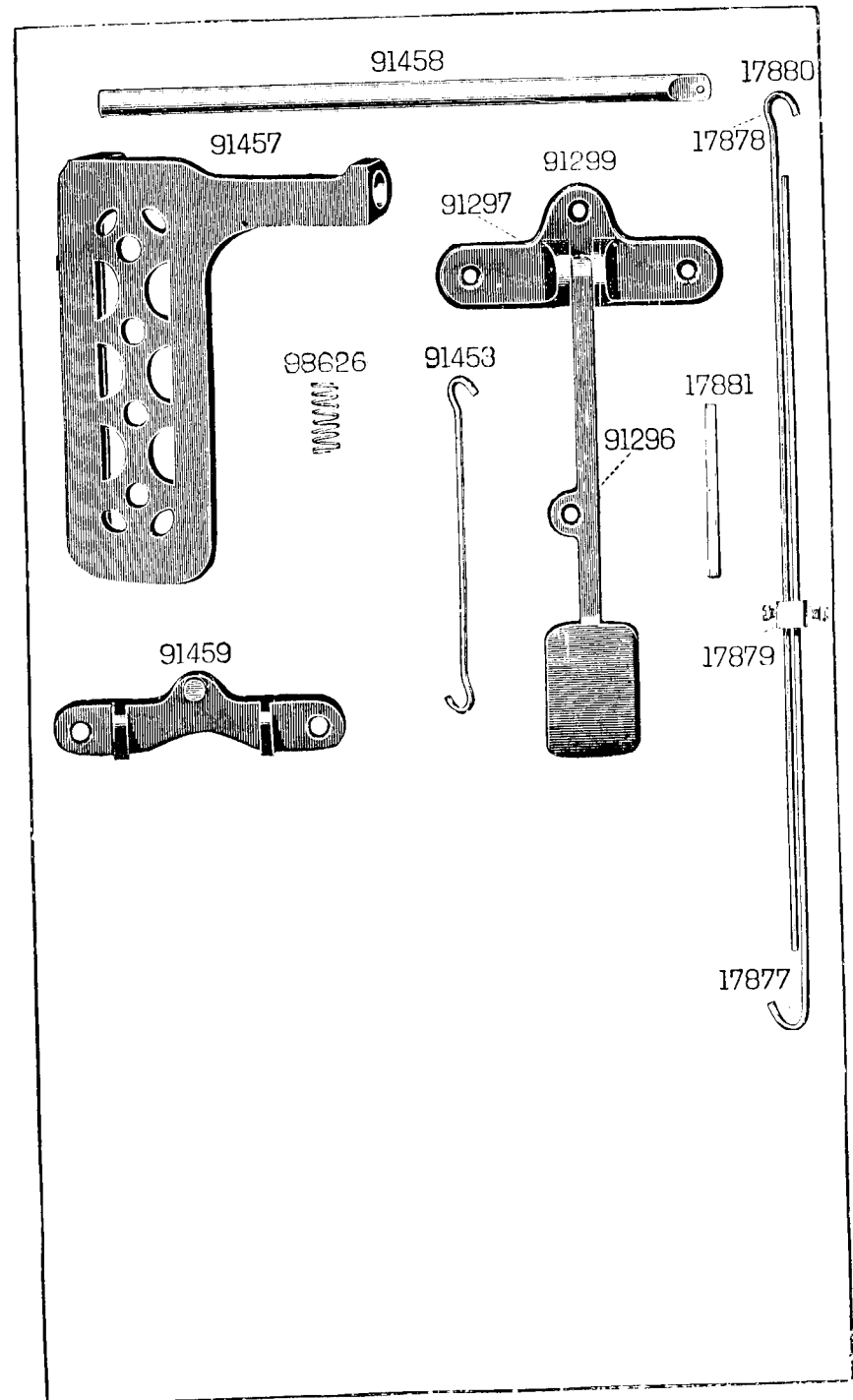
ILLUSTRATED  
LIST OF PARTS

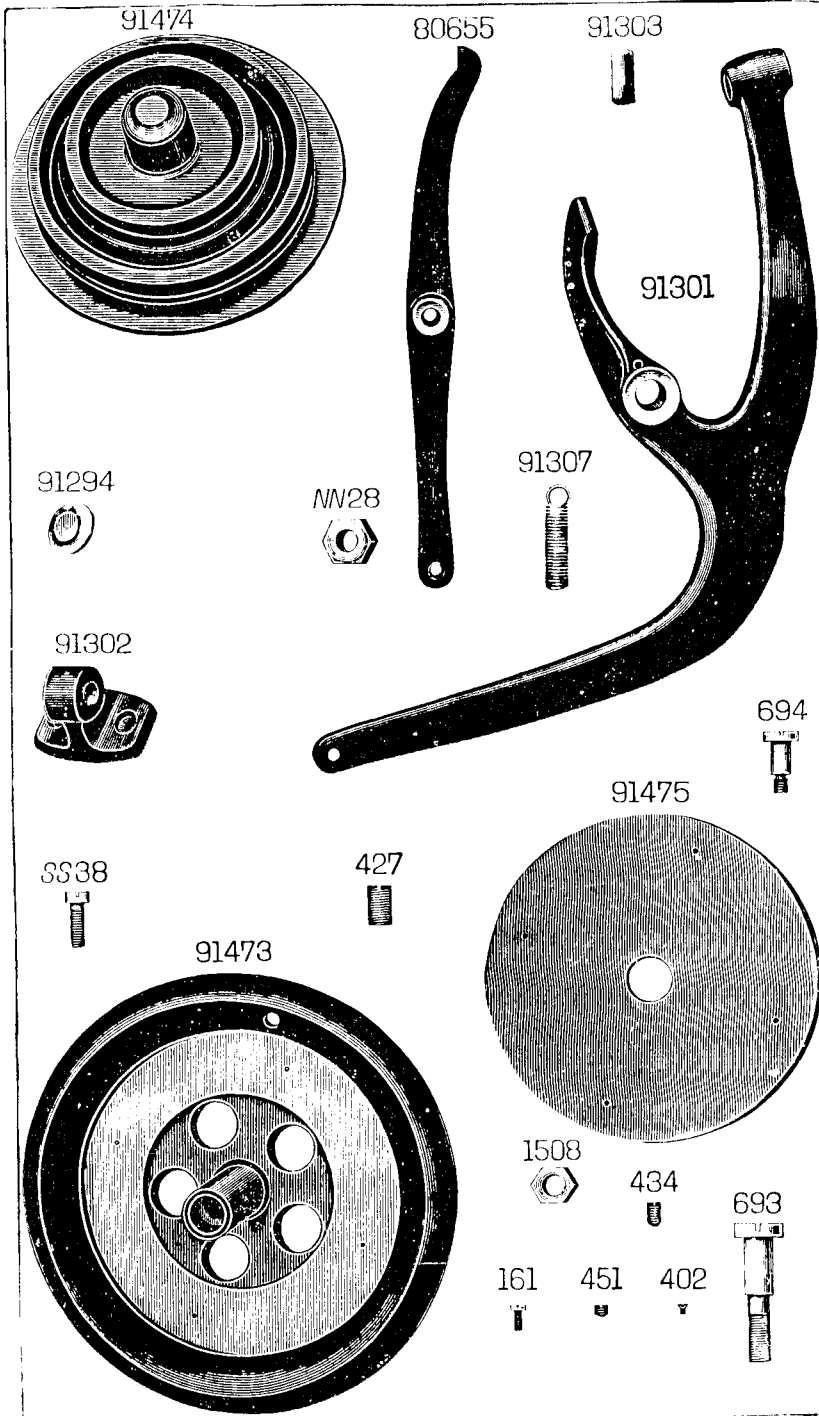
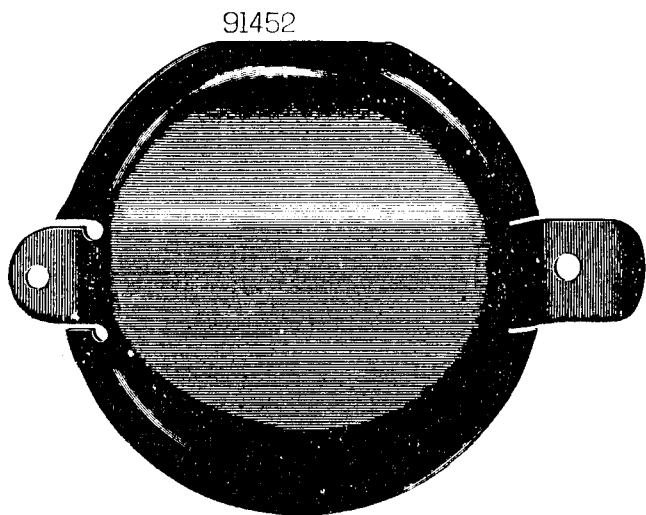
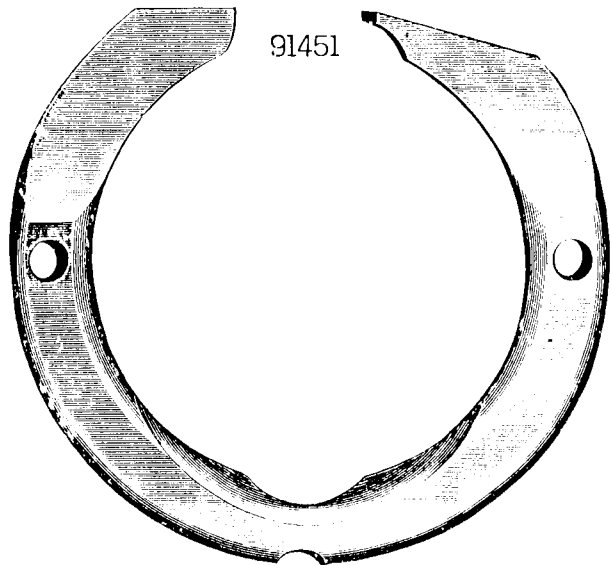
FOR

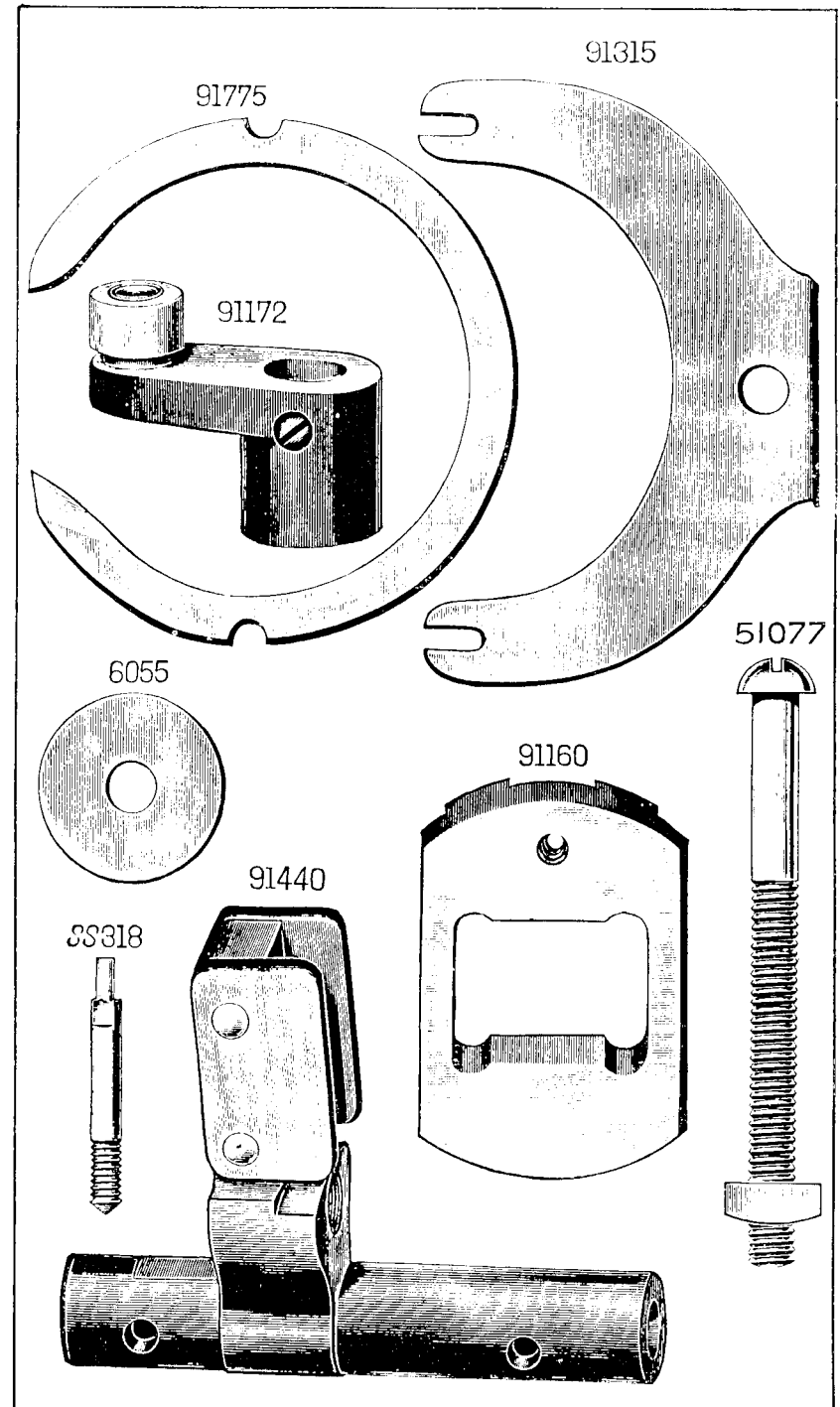
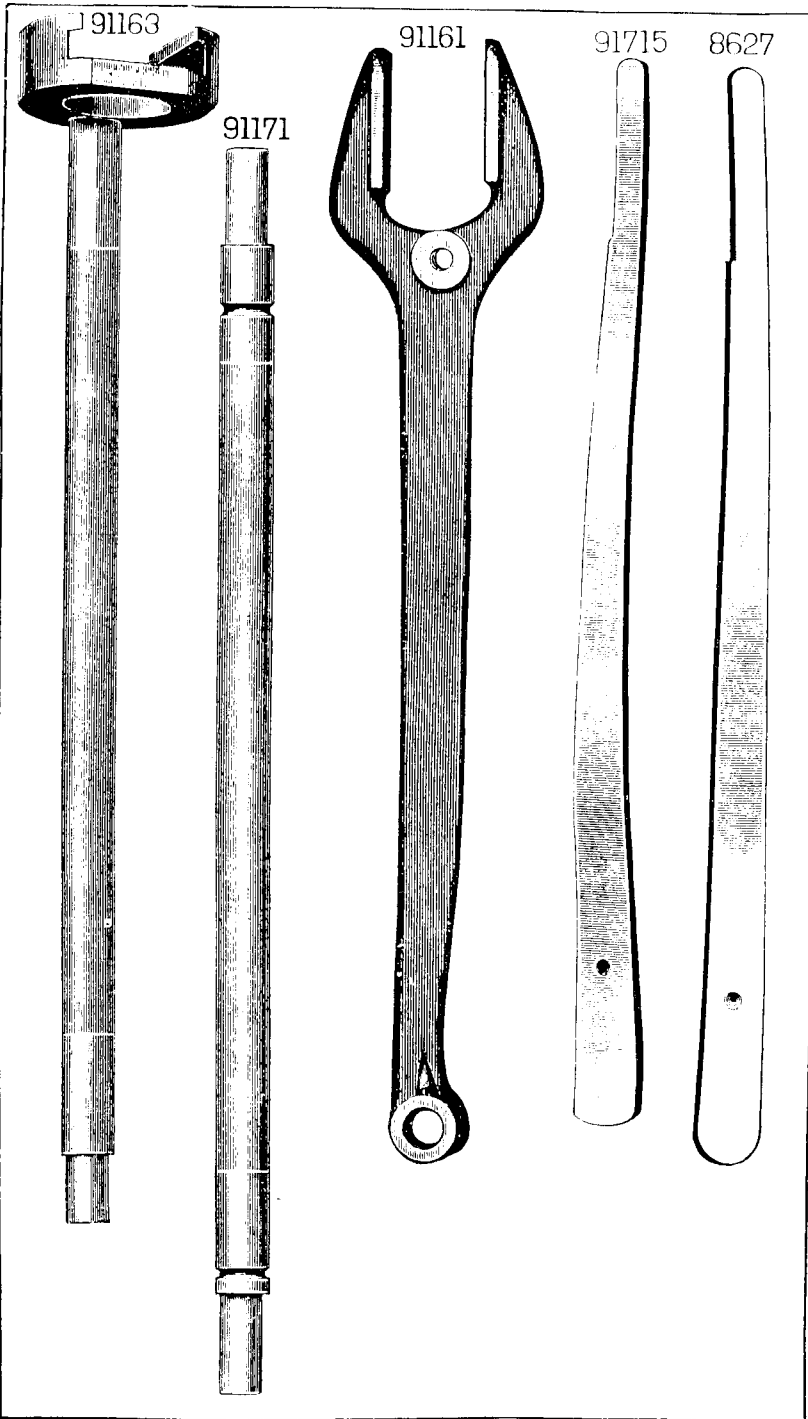
Nos. 45K68, 45K69  
and 45K71 Machines

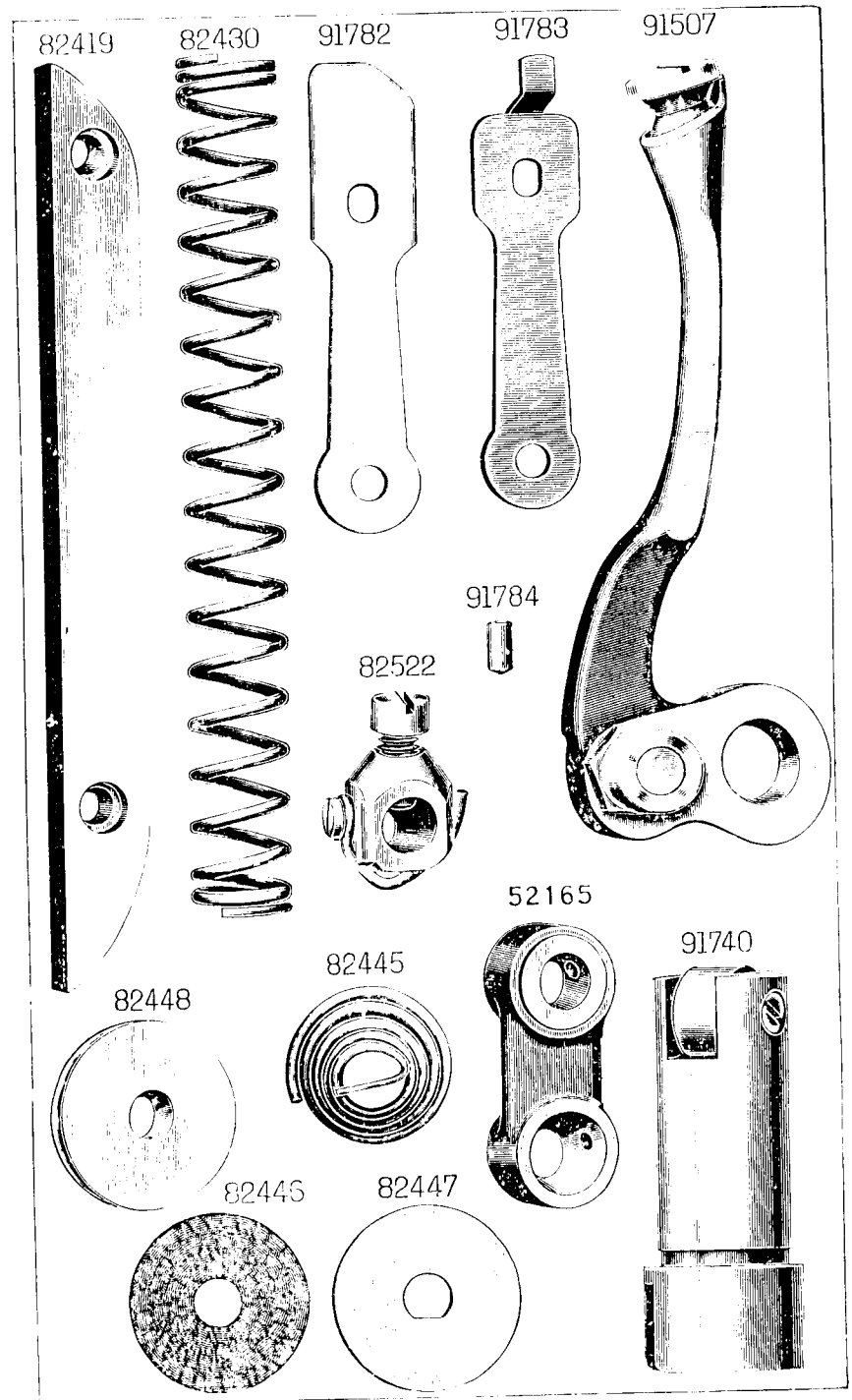
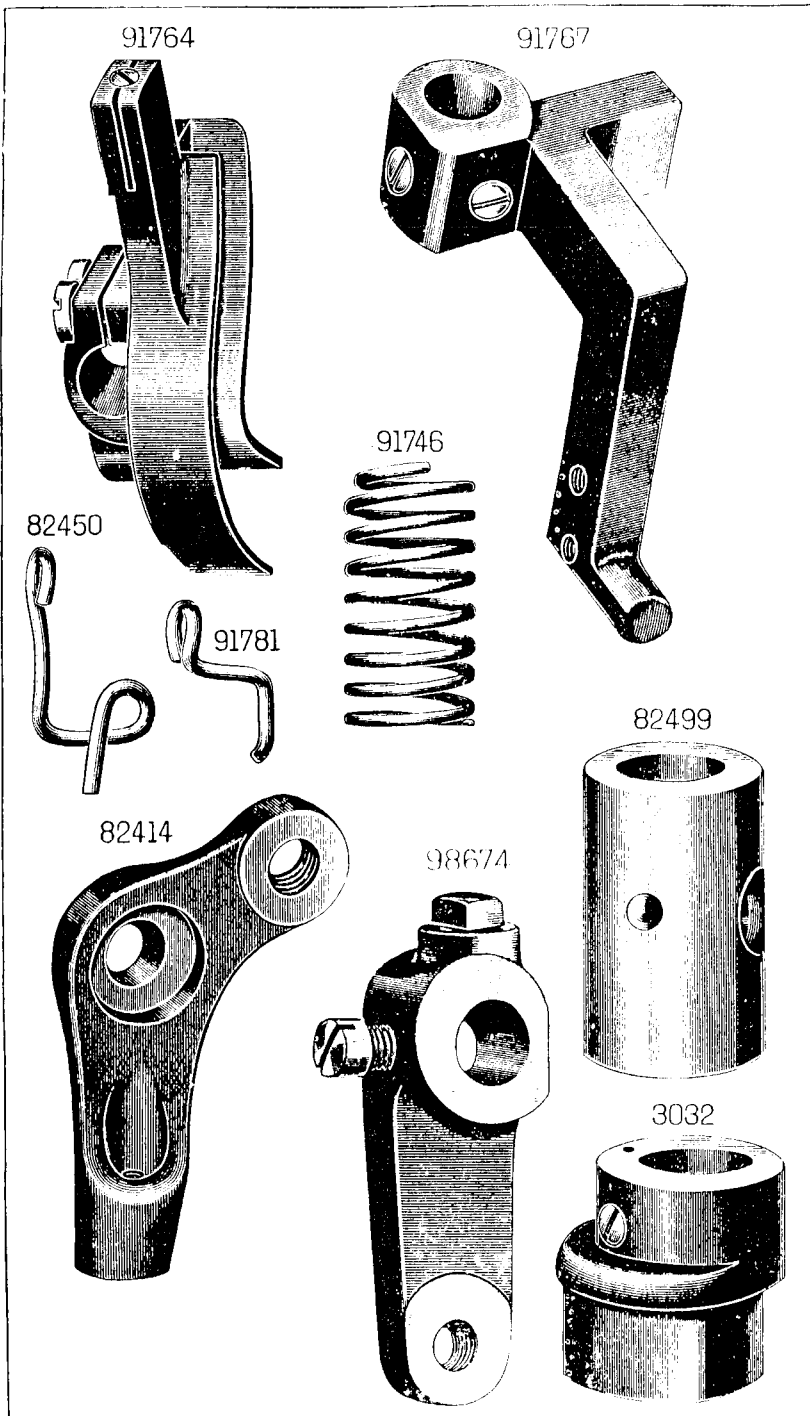


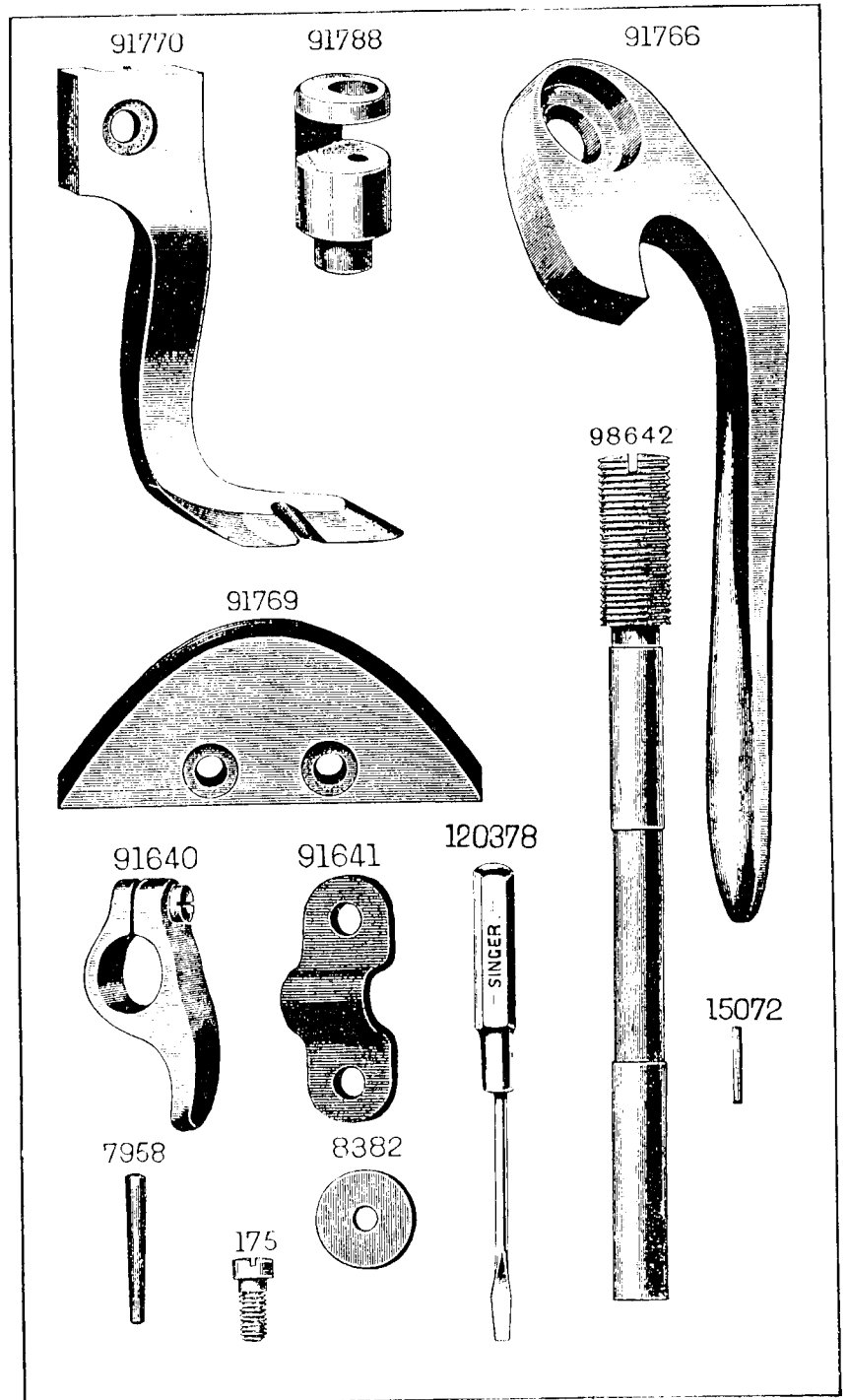
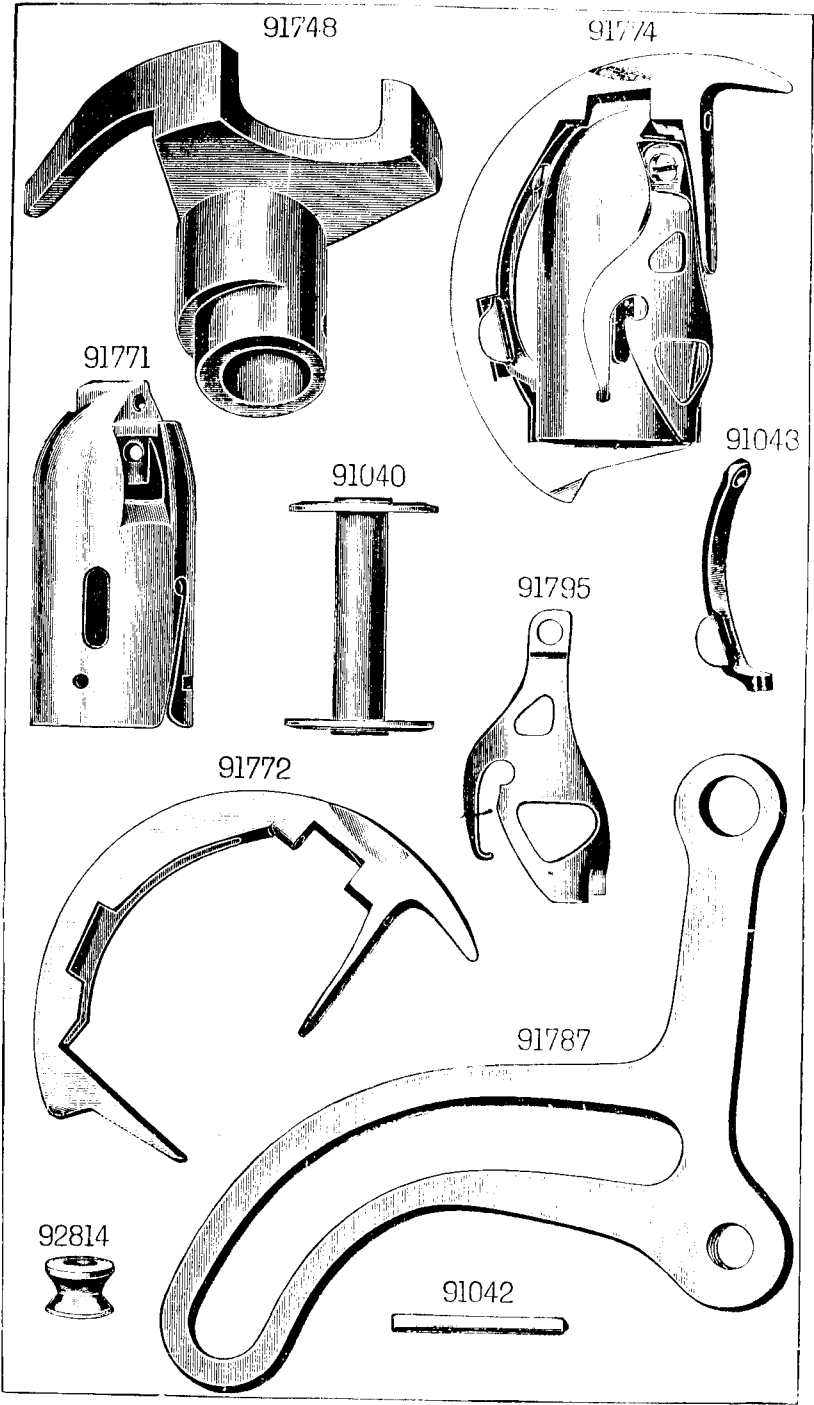
\*\*A TRADE MARK OF  
THE SINGER MANUFACTURING COMPANY

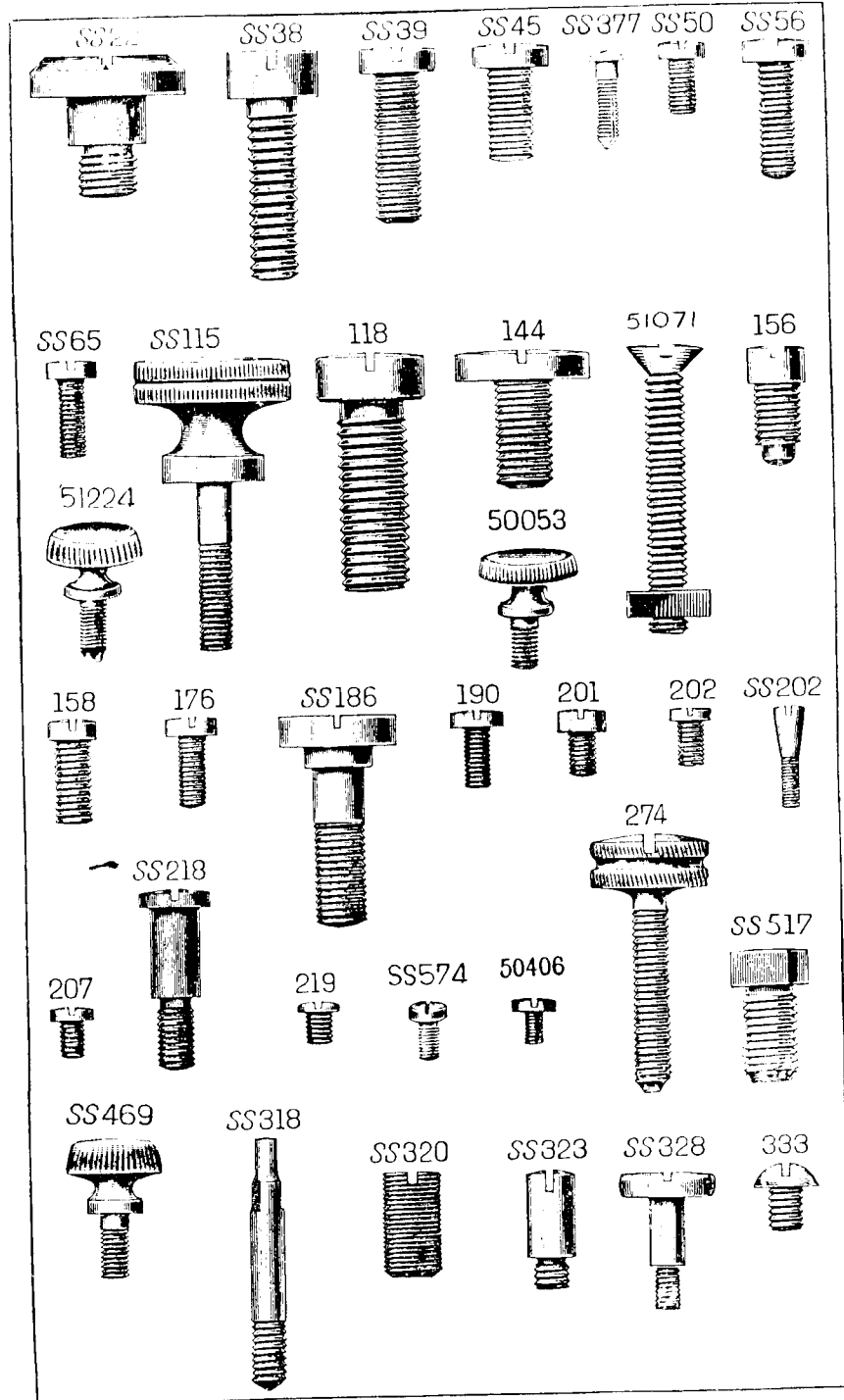
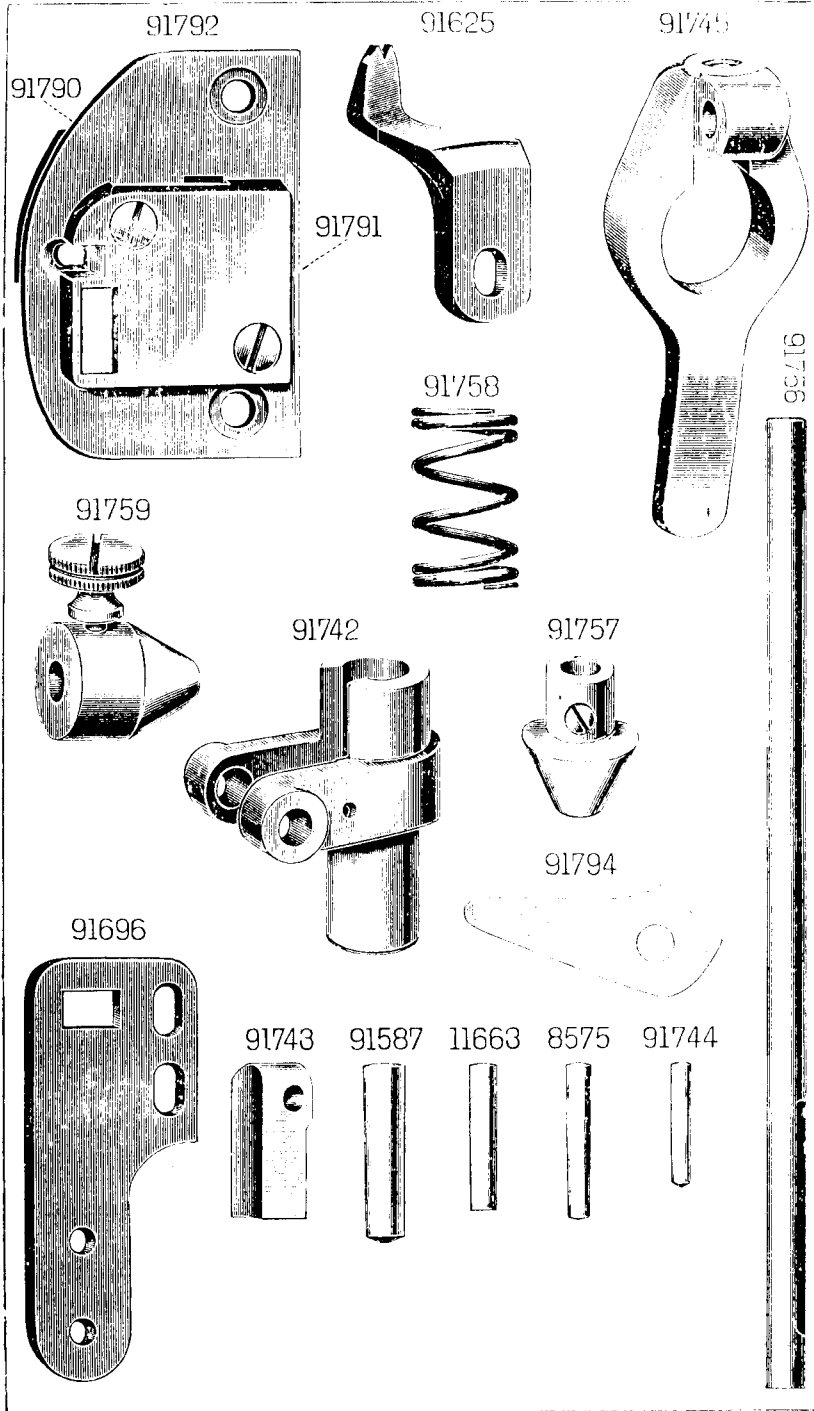




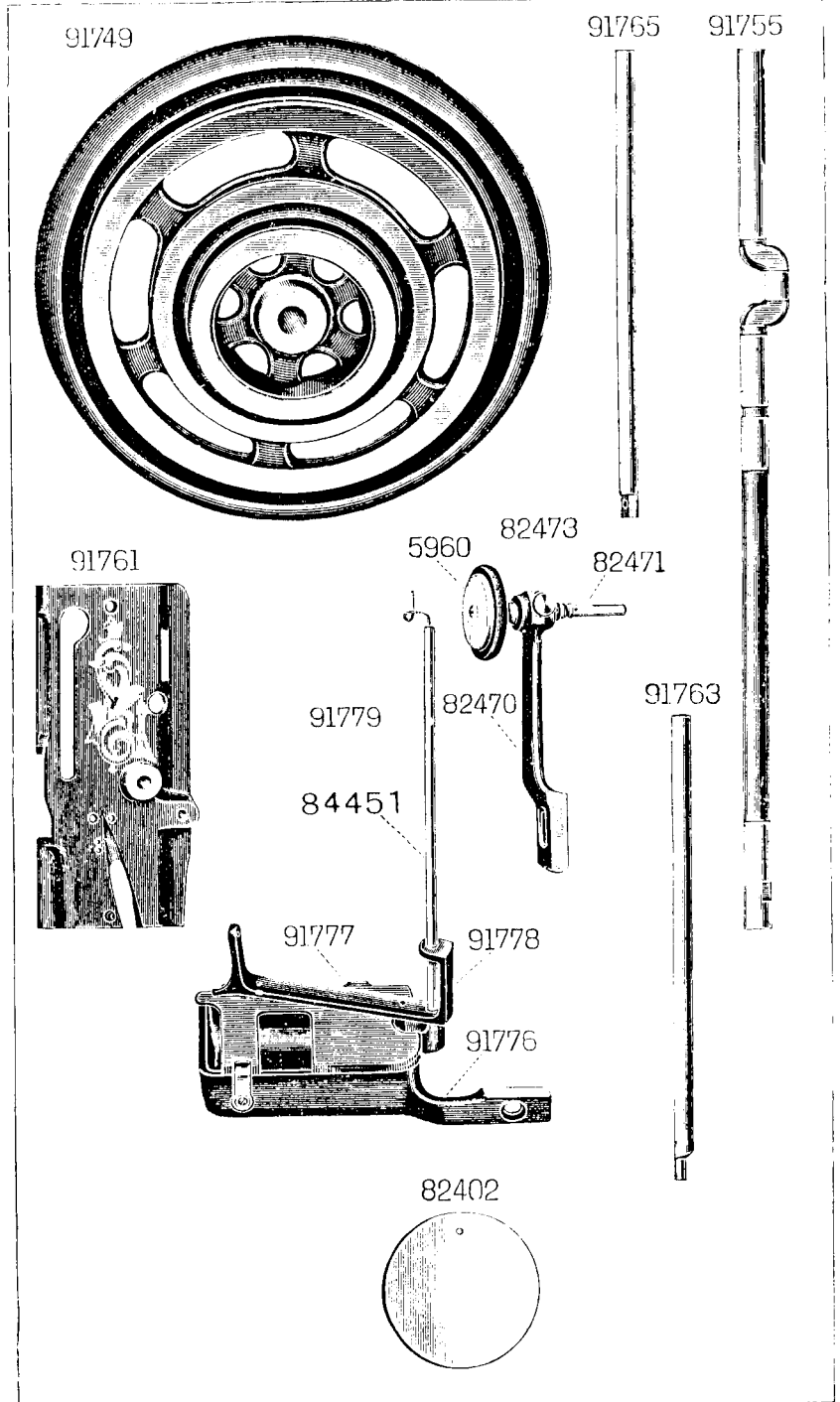
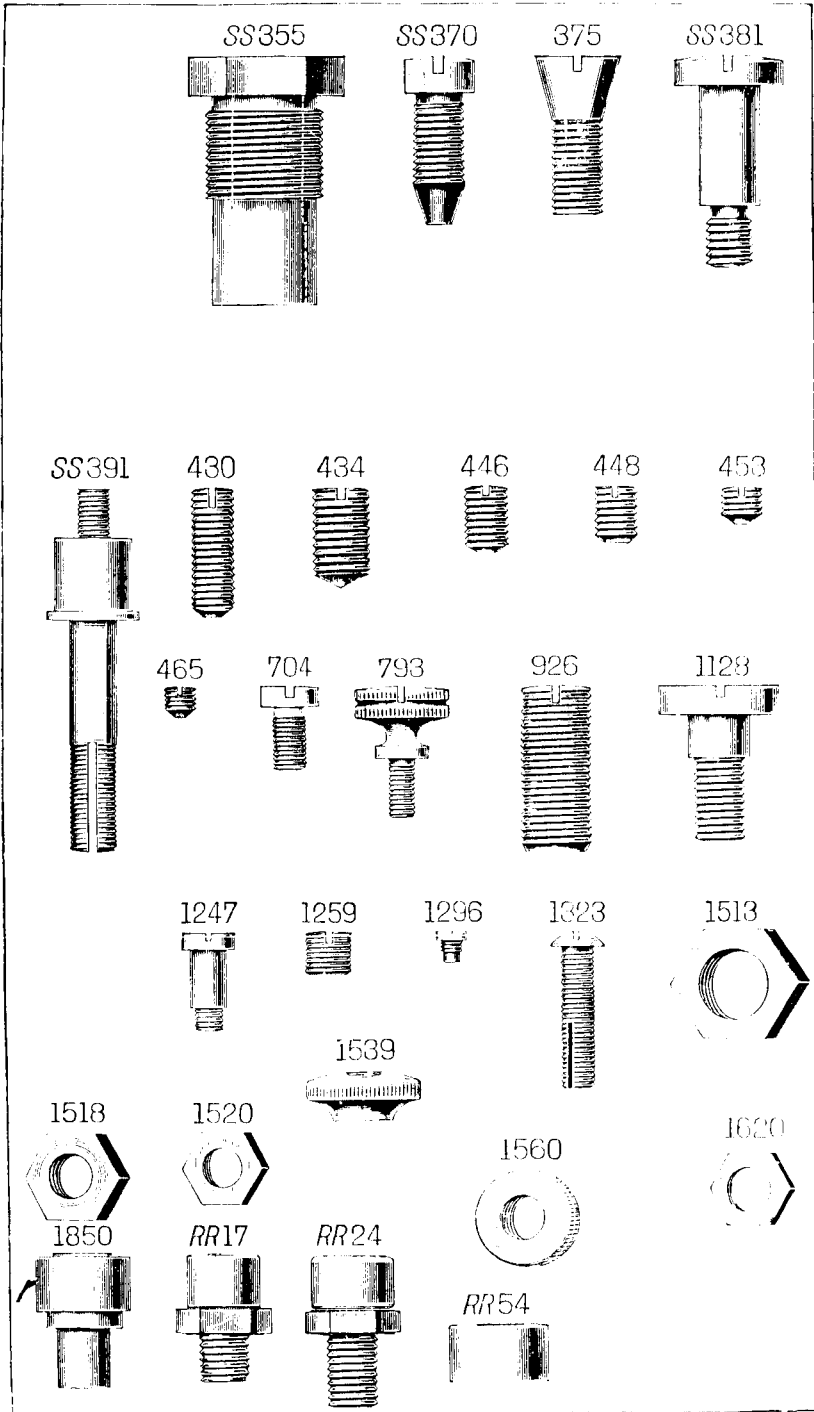




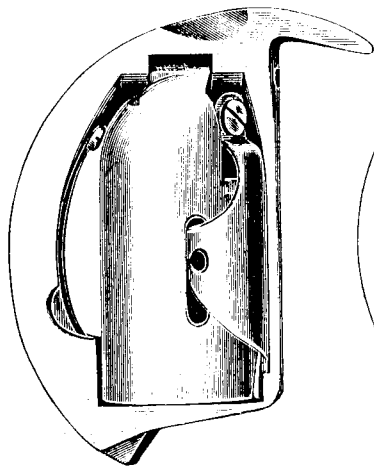




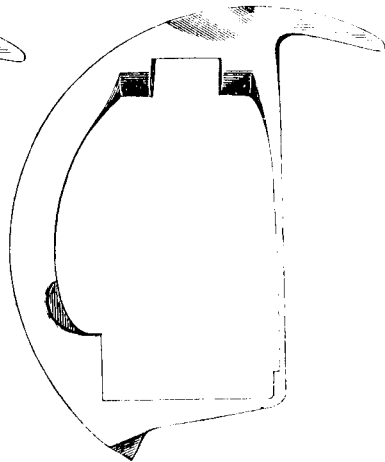




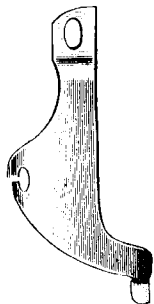
95084



95082



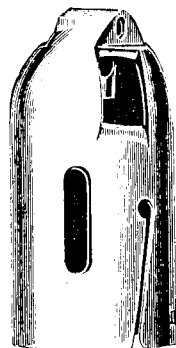
95083



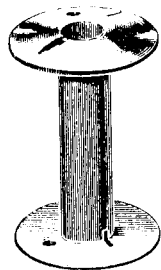
95081



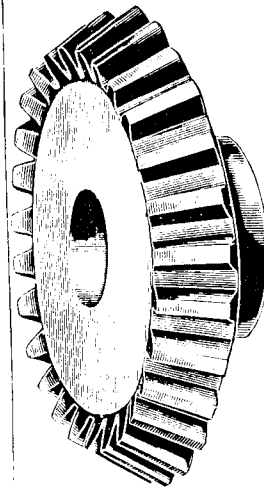
95080



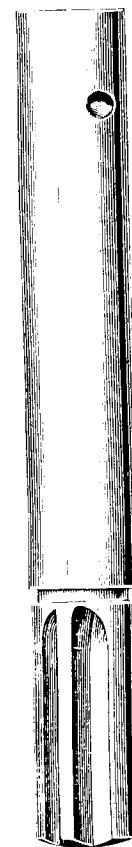
95093



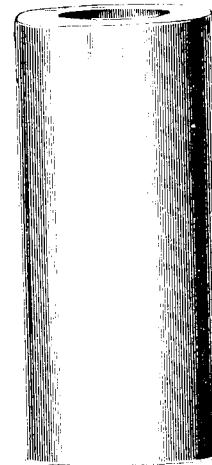
95176



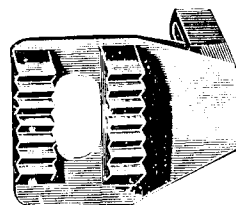
95177



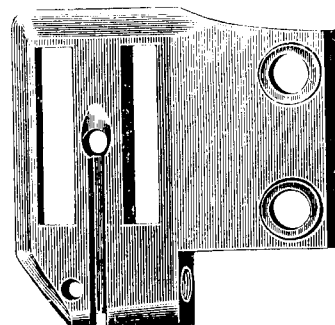
95178



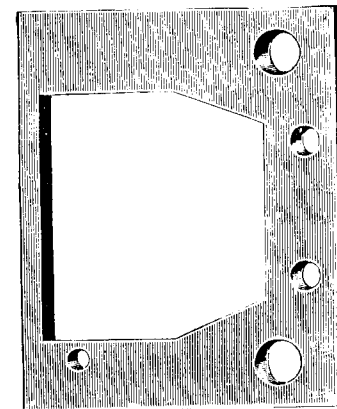
95101

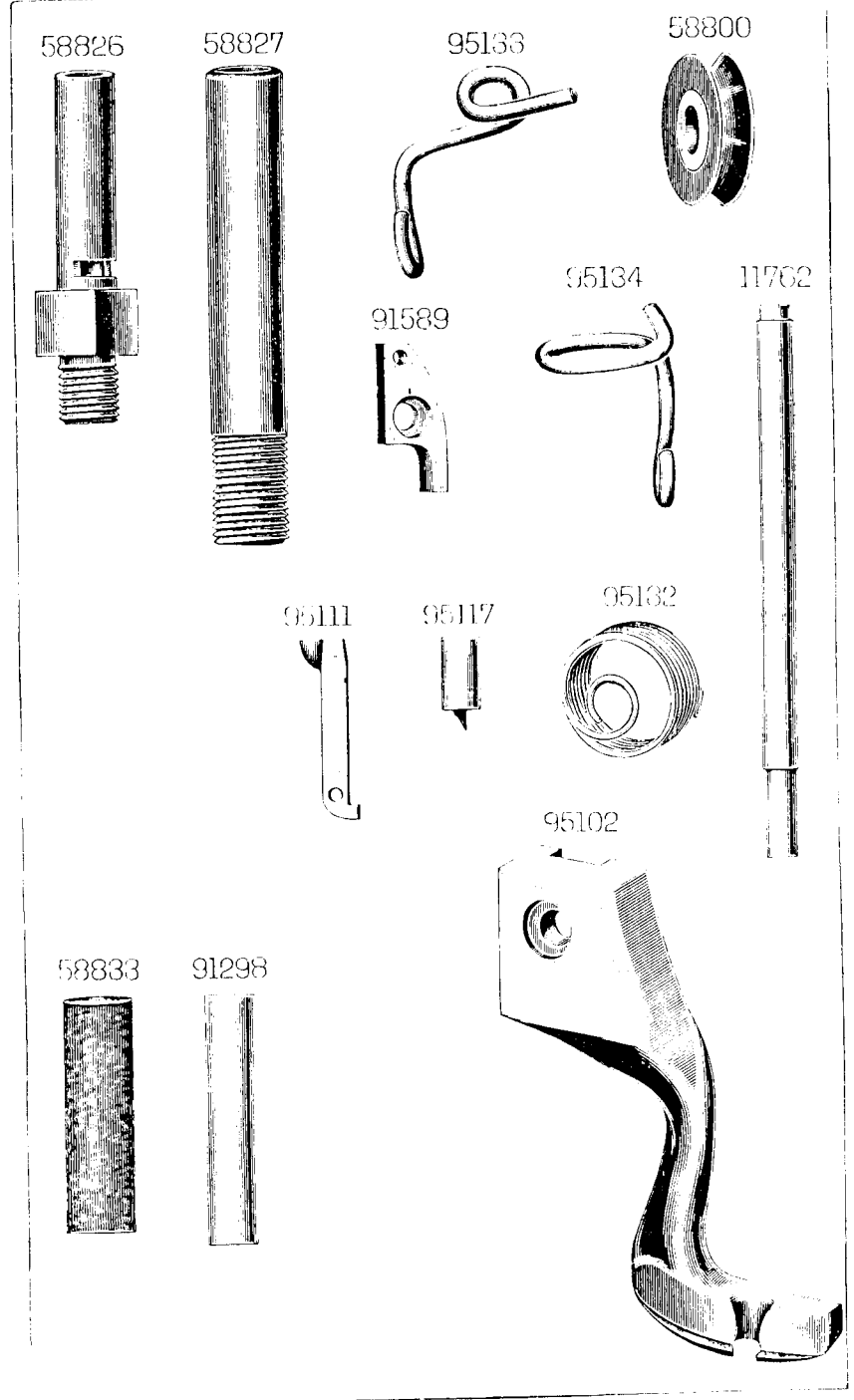
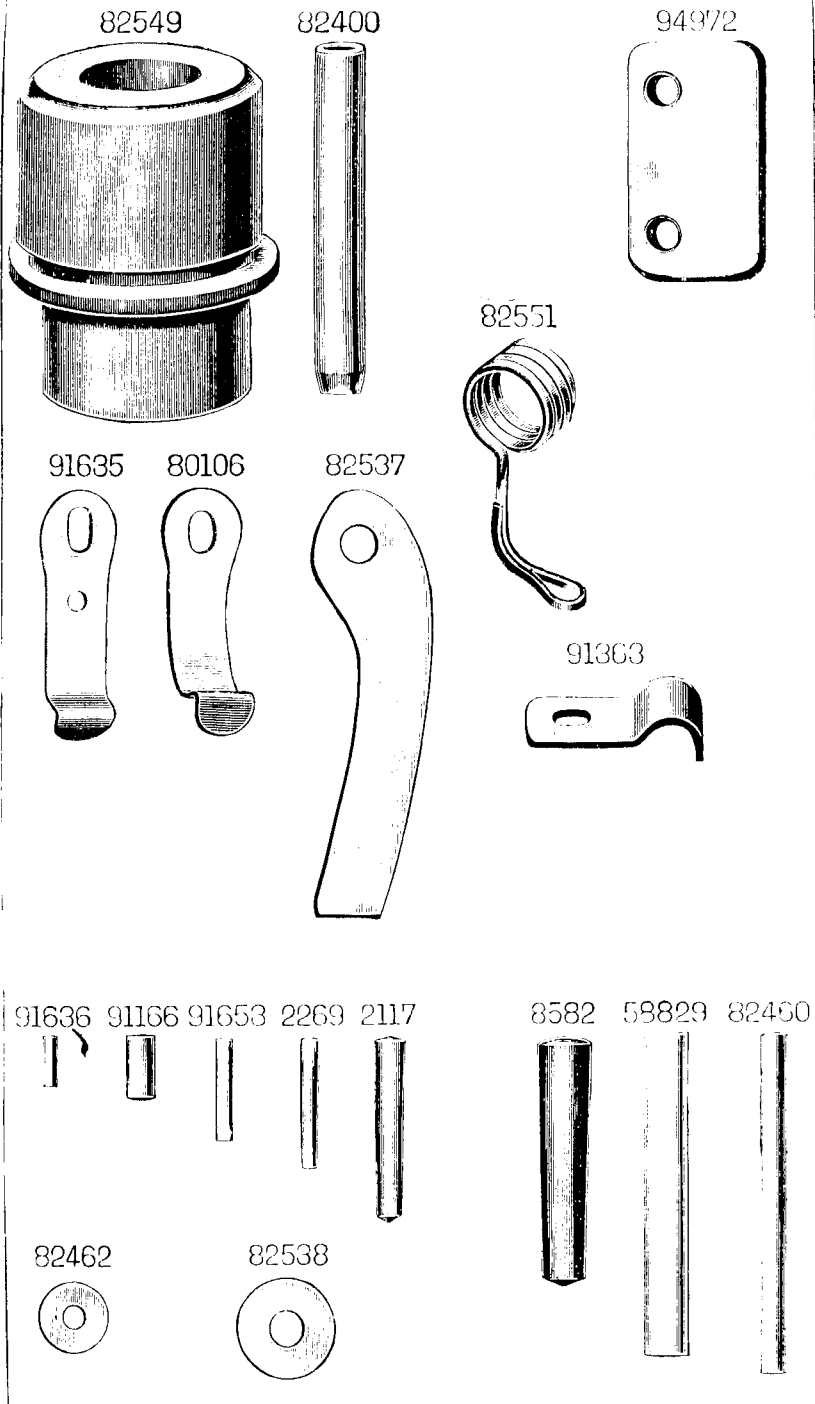


95110



95114

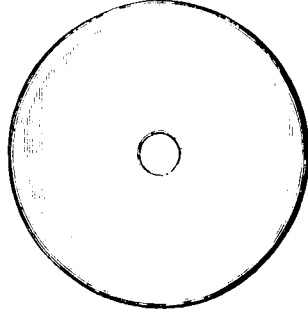




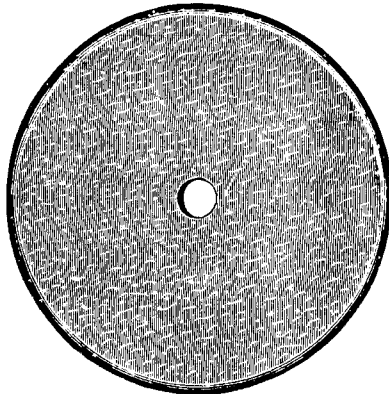
5963



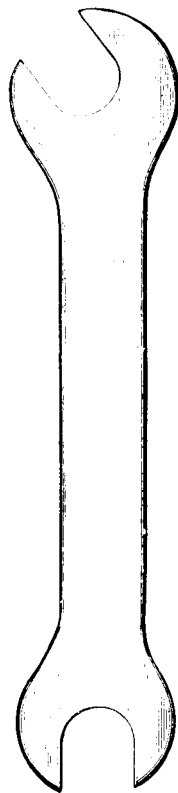
5961



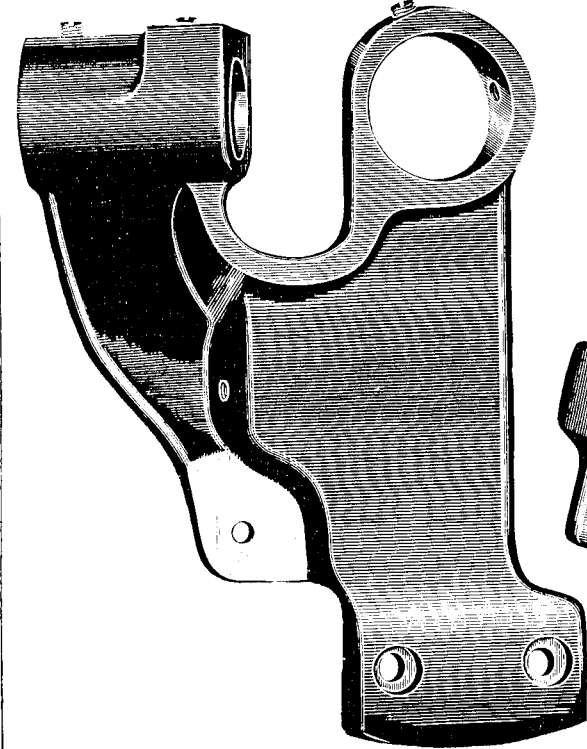
5960



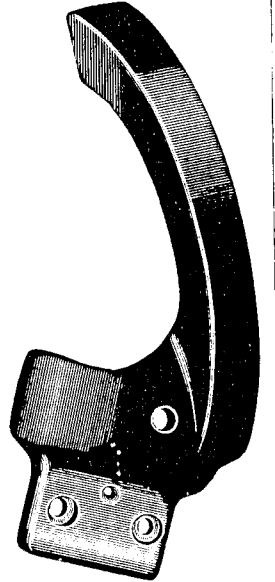
8908



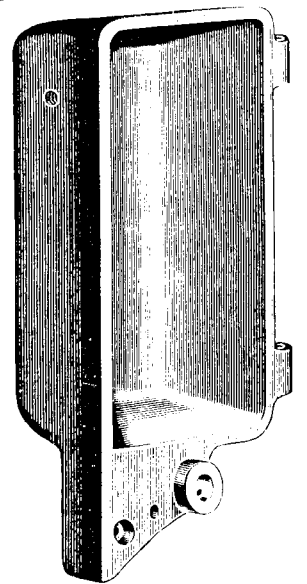
95179



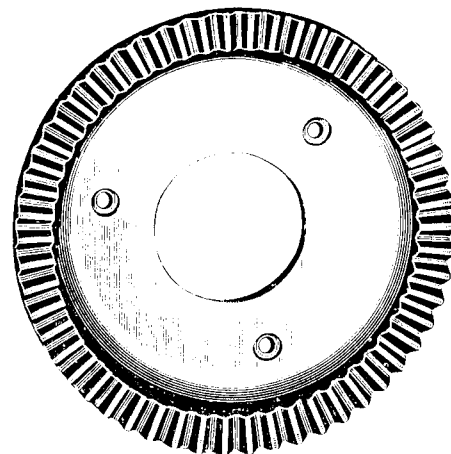
95180

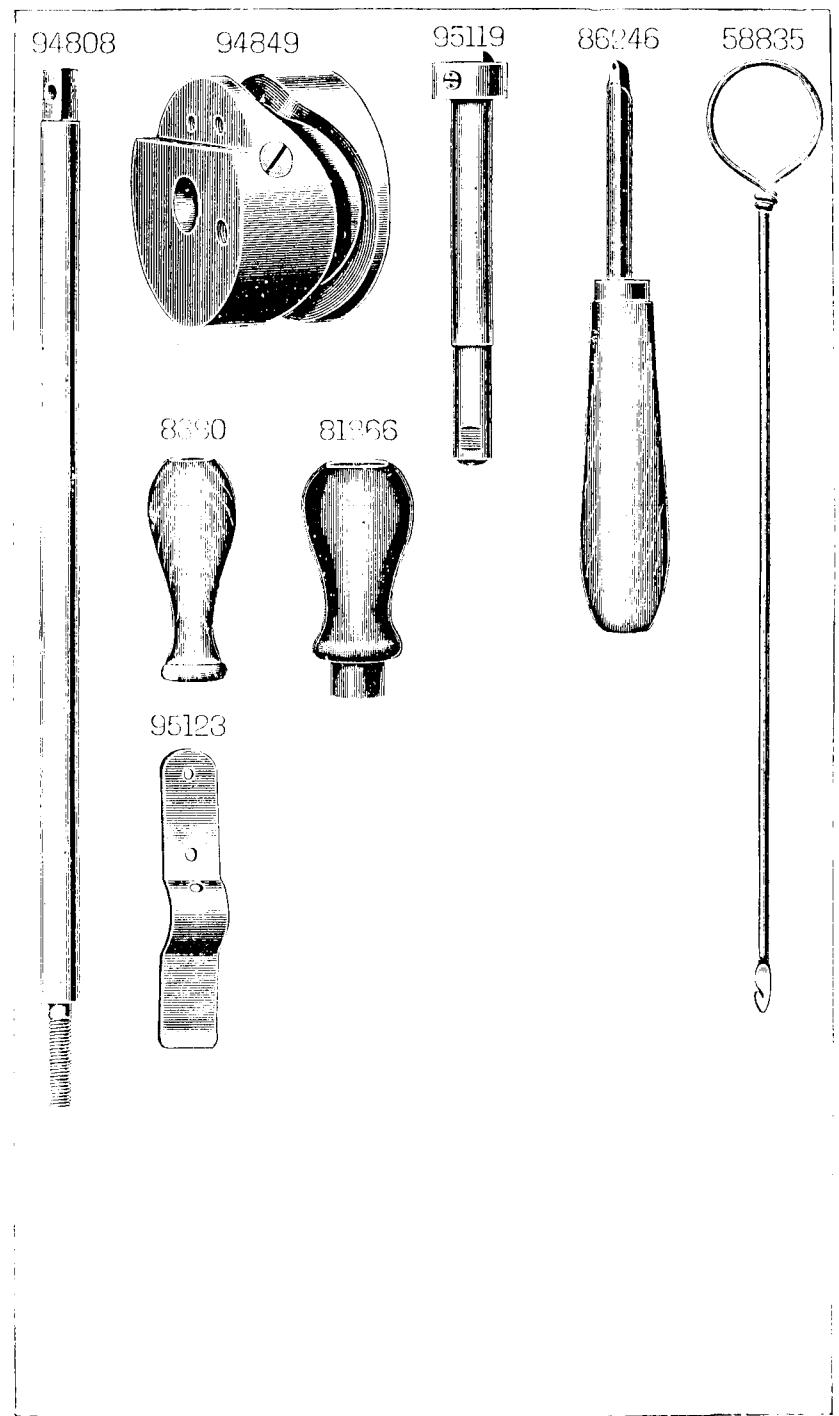
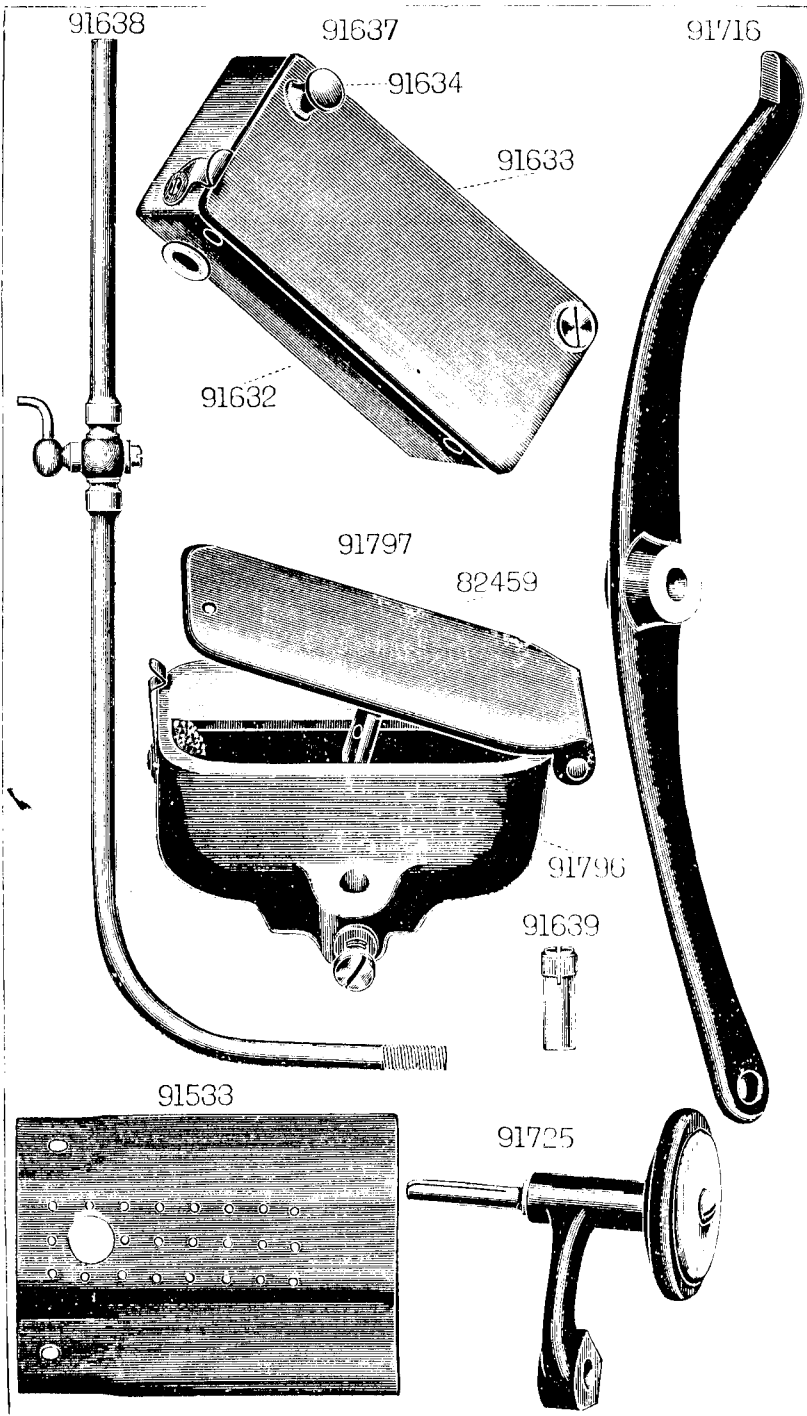


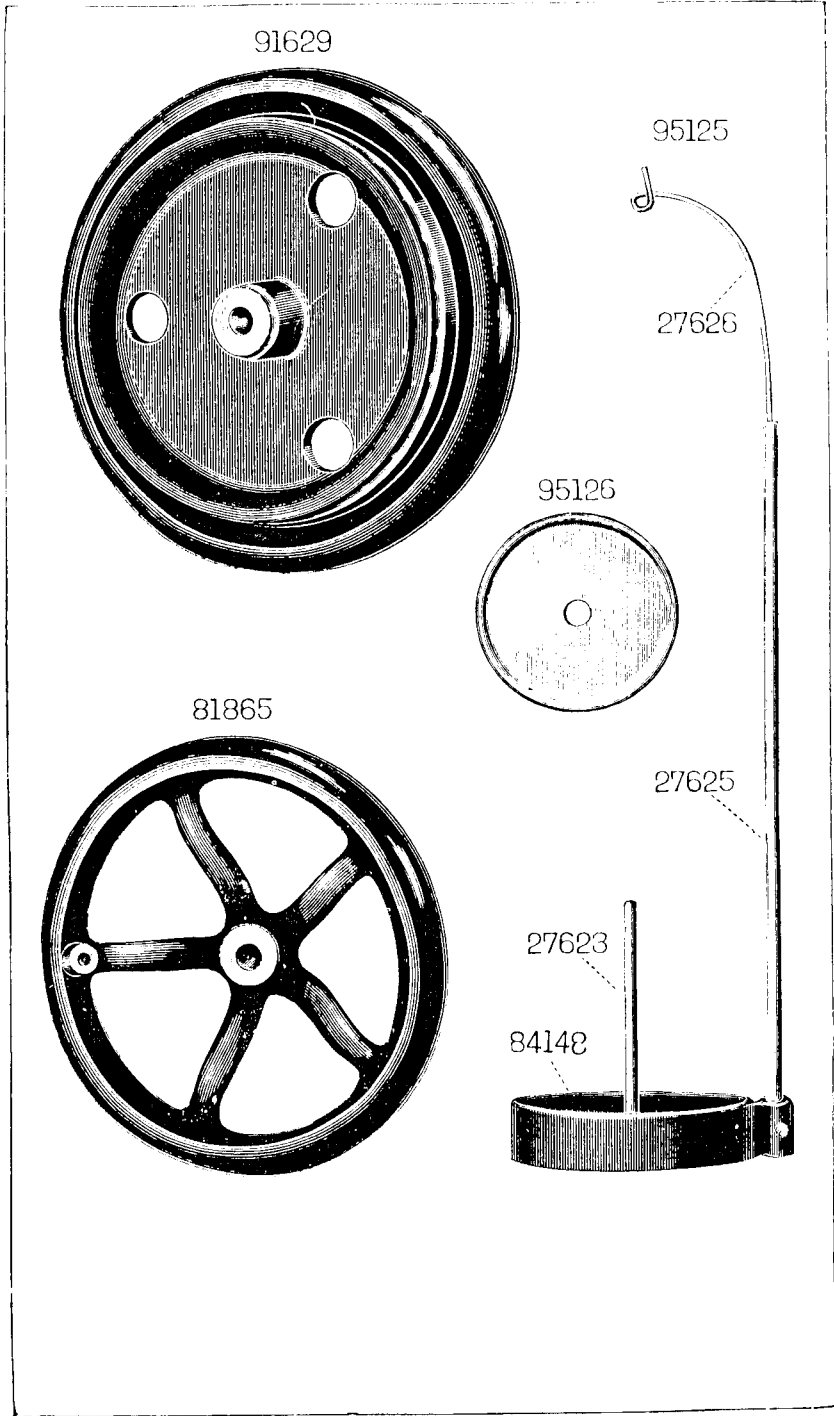
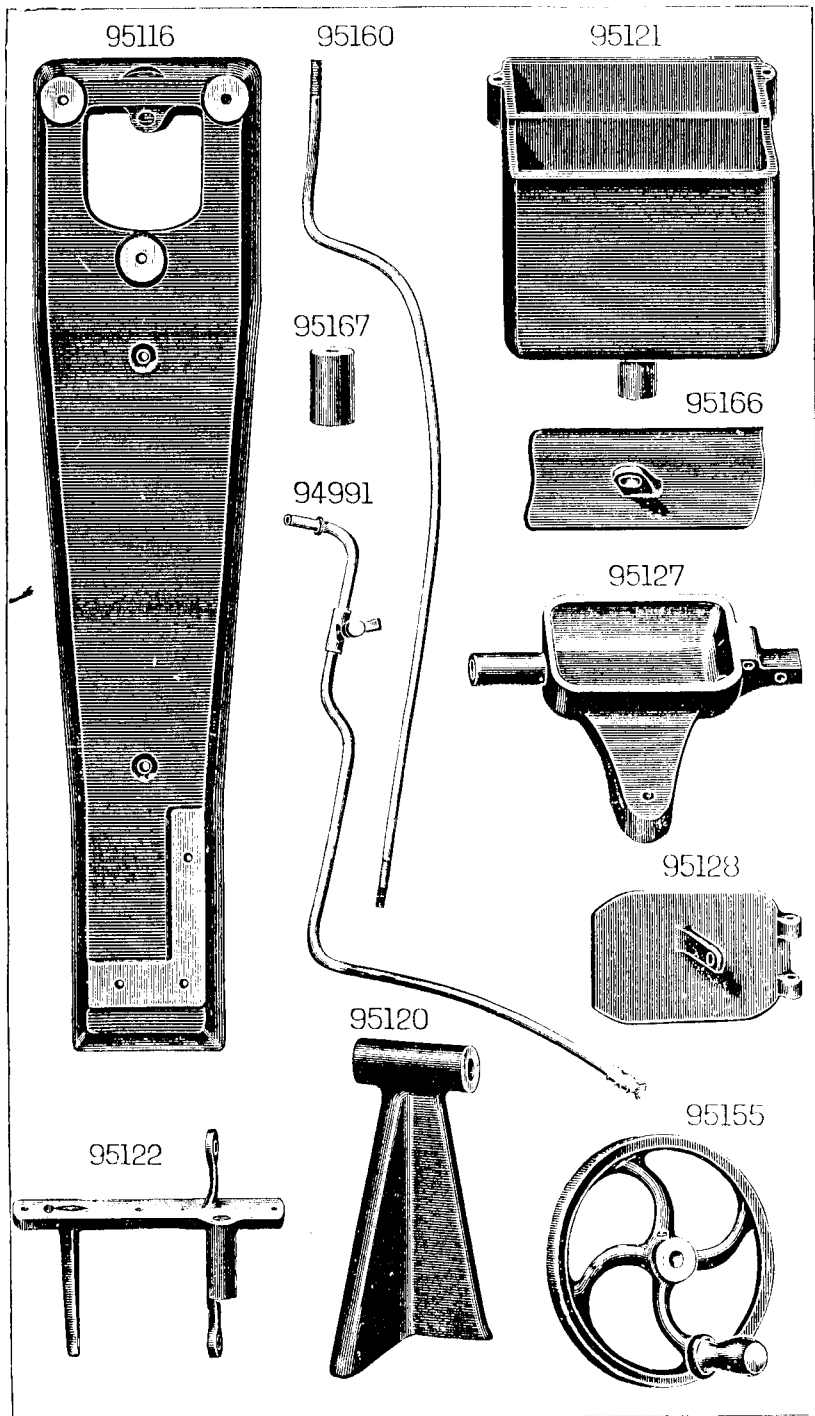
95181

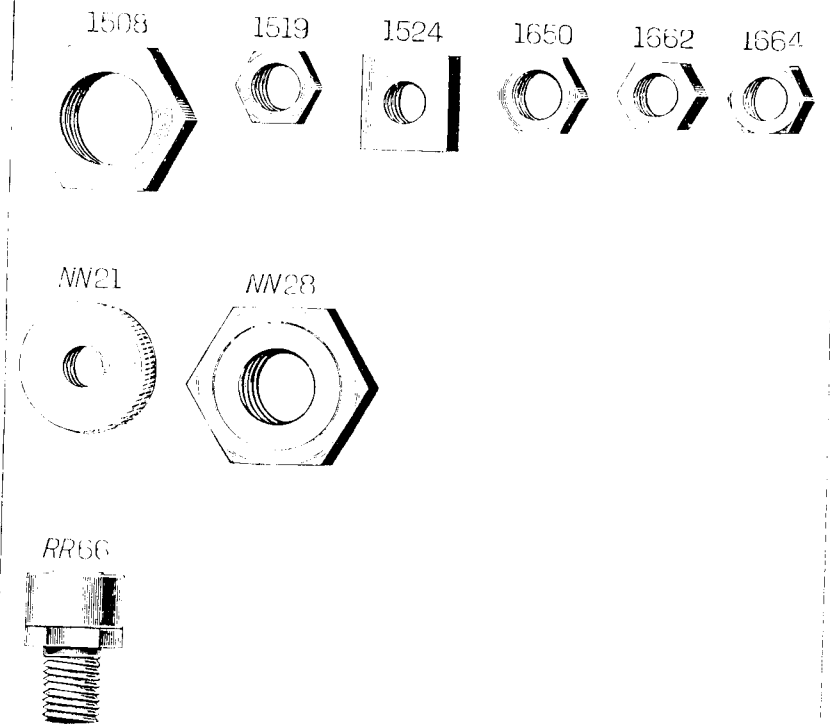
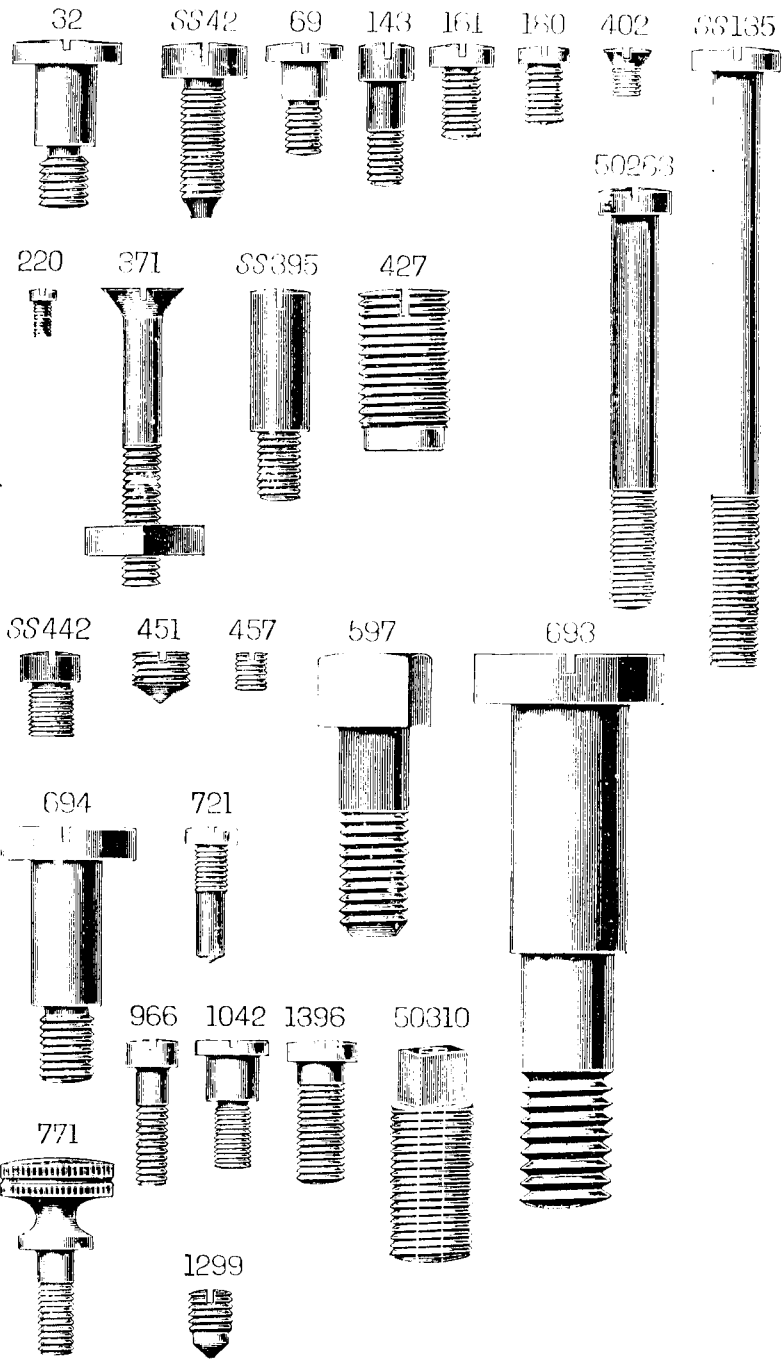


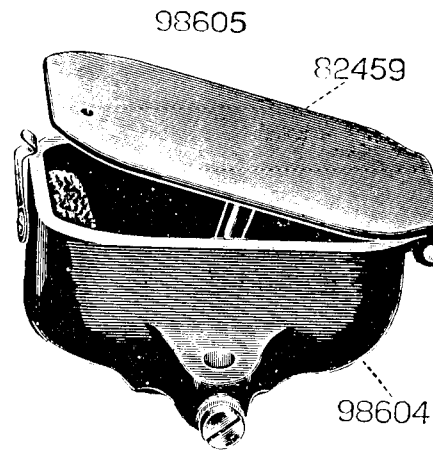
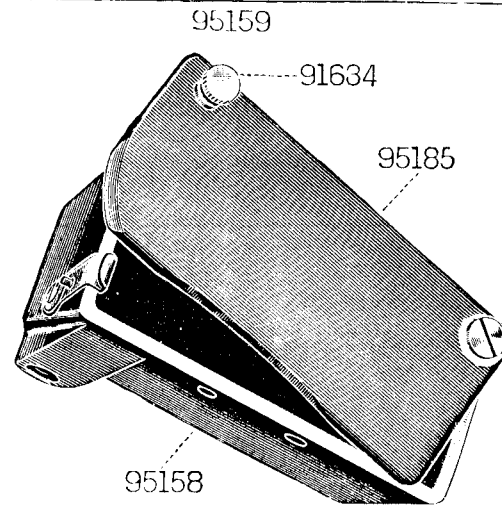
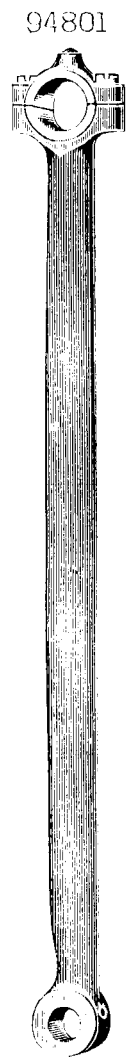
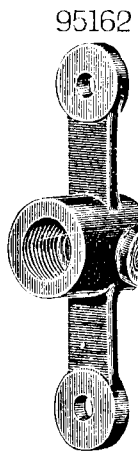
95173





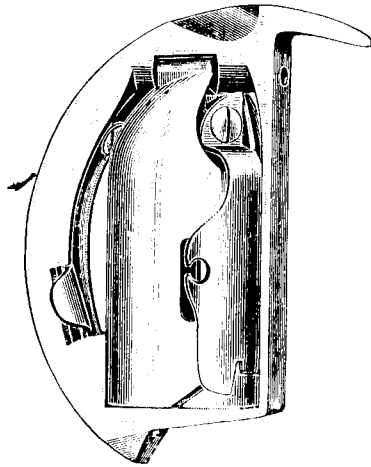




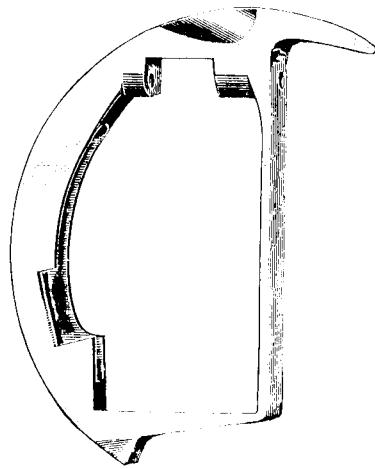




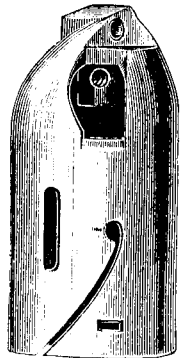
95096



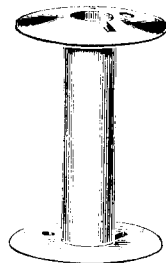
95186



95094



95093



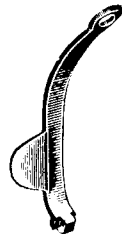
95095



91042



91043



SS377



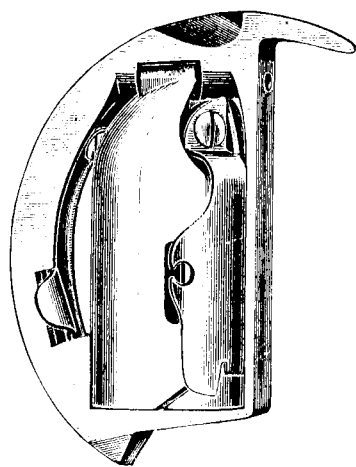
86611



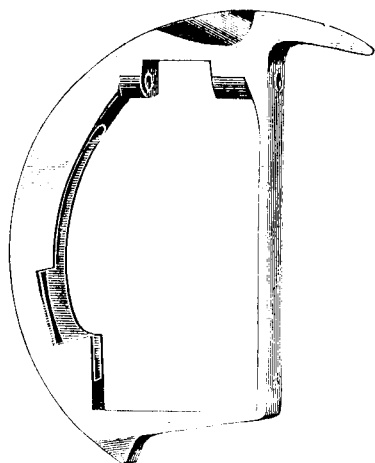
120342



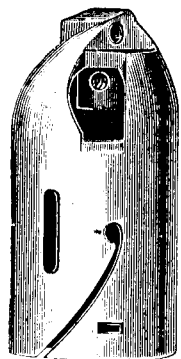
98622



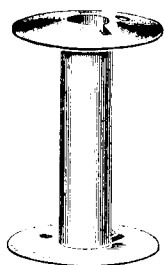
98619



95094



95093



95095



91042



91043



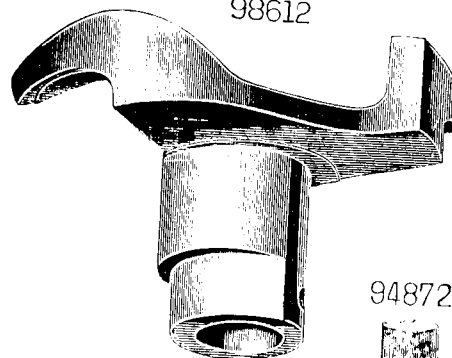
SS377



233



98612



94872



98627



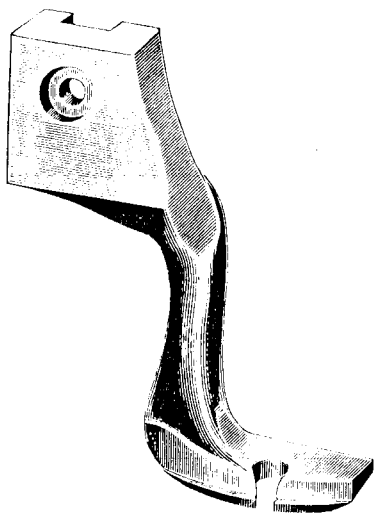
98614



1668



98632



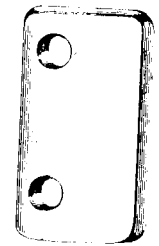
SS531



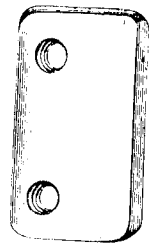
98639



98636



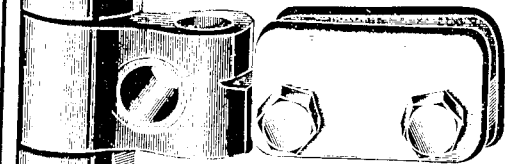
98637



SS537



1698



## INSTRUCTIONS FOR ORDERING

In ordering from this List, the prefix and affix letters with the part number **MUST BE** quoted exactly as they are shown in the first column.

A number always indicates the same part in whatever List it may appear, or for whatever machine.

The affix letters (where shown) indicate the style of finish, as follows:—

- A. Hardened, Polished, Nickel Plated and Buffed.
- A.A. Buffed and Chromium Plated.
- A.B. Hardened, Polished, Buffed and Chromium Plated.
- A.C. Brown Baking Enamel Finish.
- A.D. Grey Baking Enamel Finish.
- A.E. Hardened, Bright Rumbled and Nickel Plated.
- A.F. Hardened, Bright Rumbled and Nickel Plated, Bright Rumbled and Chromium Plated.
- A.J. Polished, Nickel Plated and Chromium Plated.
- A.K. Hardened, Polished, Nickel Plated and Chromium Plated.
- A.L. Heat Treated for Toughness.
  - B. Polished, Nickel Plated and Buffed.
  - C. Hardened only.
- C.R. Hardened and Merlized.
  - D. Polished only.
  - E. Soft, not Polished.
  - F. Hardened and Polished.
- F.J. Hardened, Polished and Nickel Plated.
- G. Bright Rumbled and Nickel Plated.
- H. Blued.
- J. Nickel Plated only.
- K. Hardened and Nickel Plated.
- L. Brass Plated.
- M. Oxidized.
- N. Japanned, Dull.
- P. Japanned, Bright.
- P.P. Wrinkle Finish.
- R. Merlized.
- S. Cadmium Plated.
- T. Copper Plated.
- T.A. Hardened, Polished, Copper and Nickel Plated and Buffed.
- T.B. Copper and Nickel Plated and Polished.
- T.J. Copper and Nickel Plated only.
- T.K. Hardened, Copper and Nickel Plated.
- T.L. Copper and Brass Plated.
- T.M. Copper Plated and Oxidized.
- U. Zinc Plated.
- V. Silver Plated.
- W. Polished and Nickel Plated.
- X. Black Oxide for Iron and Steel.
- X.C. Hardened and Black Oxide for Iron and Steel.
  - Y. Black Nickel Plated only.
  - Z. Chromium Plated.
- Z.A. Hardened, Polished, Nickel Plated, Buffed and Chromium Plated.
- Z.B. Polished, Nickel Plated, Buffed and Chromium Plated.
- Z.C. Hardened and Chromium Plated.
- Z.D. Polished and Chromium Plated.
- Z.G. Bright Rumbled, Nickel Plated, Bright Rumbled and Chromium Plated.
- Z.J. Nickel and Chromium Plated.
- Z.T. Copper and Chromium Plated.

Parts marked with an asterisk (\*) are furnished only when the repairs are made at Factory.

## PARTS COMPLETE FOR No. 45K68 MACHINE (OBSOLETE)

Drop Feed, Cylinder Bed, Needle Bar Cam, Compound Take-up  
and High Lift. For Stitching Soles up to  $\frac{3}{8}$ " in thickness.

No.	Plate				
*91754		Arm with 446c, 82499 and 82549	...	...	...
8582	1329	" Dowel Pin (2)	...	...	...
118e	1002	" Screw (3)	...	...	...
91755	1001	Arm Shaft	...	...	...
82499	997	" " Bushing (back)	...	...	...
82549	1329	" " " (front)	...	...	...
446c	1003	" " " Set Screw for 82499	...	...	...
82400	1329	" " Oil Tube	...	...	...
144c	1002	" " Screw	...	...	...
82402	1001	Arm Side Cover	...	...	...
51224d	1002	" " " Thumb Screw	...	...	...
91756	1001	Arm Spool Pin	...	...	...
91757	1001	" " " Lower Cone with 1296c	...	...	...
1296c	1003	" " " " " Set Screw	...	...	...
91758	1001	" " " " " Spring	...	...	...
91759	1001	" " " " " Upper Cone with 793d	...	...	...
793d	1003	" " " " " Thumb Set Screw	...	...	...
91760		Arm Spool Pin, complete, Nos. 91756 to 91759	...	...	...
91749	1001	Balance Wheel (three speed) with two 434c	...	...	...
91629	1336	" " " with two 434c (for use in conjunction with Column Stands Nos. 94525 and 94543)	...	...	...
434c	1003	" " " Set Screw	...	...	...
*91622		Bed	...	...	...
94801	1359	Crank Connecting Rod with 94802, 94872 and two 158c	...	...	...
*94802		" " " Cap	...	...	...
94872	1742	" " " " Oil Pad	...	...	...
158c	1002	" " " " Screw	...	...	...
98627	1742	" " " " Hinge Stud	...	...	...
98614	1742	" " " " " Cottar Pin	...	...	...
1668c	1742	" " " " " Nut	...	...	...

No.	Plate						
91761	1004	<b>Face Plate</b>	...	...	...	...	...
SS45d	1002	" " Screw (top)	...	...	...	...	...
158c	1002	" " " (bottom)	...	...	...	...	...
91762		<b>Face Plate, complete, Nos. SS50f, 201d, 1323f, 82450, 91761 and 91780 to 91784</b>	...	...	...	...	...
3032	997	<b>Feed Cam with 446c</b>	...	...	...	...	...
446c	1003	" " Set Screw	...	...	...	...	...
52165	998	<b>Feed Connecting Link</b>	...	...	...	...	...
375c	1003	" " " Hinge Screw (2)	...	...	...	...	...
1518c	1003	" " " " " Nut (2)	...	...	...	...	...
91625	1001	<b>Feed Dog</b>	...	...	...	...	...
91160	996	" " Carrier	...	...	...	...	...
704c	1003	" " Screw	...	...	...	...	...
91161	881	<b>Feed Forked Connection</b>	...	...	...	...	...
375c	1003	" " " Hinge Screw	...	...	...	...	...
1518c	1003	" " " " " Nut	...	...	...	...	...
82414	997	<b>Feed Regulator</b>	...	...	...	...	...
1128c	1003	" " " Hinge Screw	...	...	...	...	...
SS115d	1002	" " " Thumb Screw	...	...	...	...	...
*91162	...	<b>Feed Rock Shaft</b>	...	...	...	...	...
91163	881	" " " 91162 with 91165 and 91166	...	...	...	...	...
91565	...	" " " 91163 " 98674	...	...	...	...	...
91165	...	" " " Carrier Slide with 1259c	...	...	...	...	...
1259c	1003	" " " " " Set Screw	...	...	...	...	...
91166	1329	" " " " " Steady Pin	...	...	...	...	...
98674	997	" " " Crank with 156f and SS517c	...	...	...	...	...
SS517c	1002	" " " " " Clamping Screw	...	...	...	...	...
156f	1002	" " " " " Position Screw	...	...	...	...	...
91739		<b>Lifting Presser Plunger</b>	...	...	...	...	...
8575	1001	" " " Position Pin	...	...	...	...	...
RR54	1003	" " " Roller	...	...	...	...	...
SS323f	1002	" " " " " Screw Stud	...	...	...	...	...
91740	998	<b>Lifting Presser Plunger, complete, Nos. RR54, SS323f and 91739</b>	...	...	...	...	...
91763	1004	<b>Needle Bar</b>	...	...	...	...	...
91764	997	" " Cam with SS202d and two 704c	...	...	...	...	...
SS202d	1002	" " " Adjusting Screw	...	...	...	...	...
704c	1003	" " " Clamping Screw	...	...	...	...	...
82419	998	" " " Guide	...	...	...	...	...
158c	1002	" " " " " Screw (2)	...	...	...	...	...
RR66	1338	" " " Roller and Screw Stud	...	...	...	...	...

No.	Plate						
82520		<b>Needle Clamp</b>	...	...	...	...	...
156f	1002	" " Screw	...	...	...	...	...
82521	...	" " Thread Guide	...	...	...	...	...
50406d	1002	" " " " " Screw	...	...	...	...	...
82522	998	" " " 82520 with 156f, 50406d and 82521	...	...	...	...	...
98604	1360	<b>Oil Box</b>	...	...	...	...	...
82459	1333	" " Cover	...	...	...	...	...
82460	1329	" " " Hinge Pin	...	...	...	...	...
80106	1329	" " " Latch Spring	...	...	...	...	...
219f	1002	" " " " " Screw	...	...	...	...	...
82462	1329	" " " " " Washer	...	...	...	...	...
82463	...	" " Oil Pad (Cloth)	...	...	...	...	...
SS50f	1002	" " " " " Screw	...	...	...	...	...
82462	1329	" " " " " Washer	...	...	...	...	...
SS395f	1337	" " Stud Screw	...	...	...	...	...
SS42f	1337	" " " " " Set Screw	...	...	...	...	...
98605	1360	<b>Oil Box, complete, Nos. SS42f, SS50f, 219f, 80106, 82459, 82460, 82463, 98604 and two 82462</b>	...	...	...	...	...
98639	1742	<b>Oscillating Rock Shaft with 98636, 98637, two each SS537c and 1698c</b>	...	...	...	...	...
98642	4000	" " " Hinge Pin	...	...	...	...	...
1513j	1003	" " " " " Nut	...	...	...	...	...
SS537c	2001	" " " " " Screw Bearing	...	...	...	...	...
1513j	1003	" " " " " " Nut	...	...	...	...	...
98636	2001	" " " Steel Plate (bottom)	...	...	...	...	...
98637	2001	" " " " " (top)	...	...	...	...	...
SS537c	2001	" " " " " Binding Screw	...	...	...	...	...
1698c	2001	" " " " " Lock Nut	...	...	...	...	...
98641		<b>Oscillating Rock Shaft, complete, Nos. 1668c, 98614, 98627 and 98639</b>	...	...	...	...	...
91171	881	<b>Oscillating Shuttle Shaft</b>	...	...	...	...	...
91172	996	" " " Crank with 453c and 1850	...	...	...	...	...
11663	1001	" " " " " Pin	...	...	...	...	...
1850	1003	" " " " " Roller and Stud	...	...	...	...	...
453c	1003	" " " " " Set Screw	...	...	...	...	...
91808	1334	<b>Presser Bar (with squared end)</b>	...	...	...	...	...
91742	1001	<b>Presser Bar Gripping Bracket</b>	...	...	...	...	...
91743	1001	" " " " " Block	...	...	...	...	...
91744	1001	" " " " " Retaining Pin	...	...	...	...	...
91745	1001	" " " " " Grip Lever	...	...	...	...	...
430a1	1003	" " " " " Adjusting Screw...	...	...	...	...	...
1520r	1003	" " " " " " " Nut	...	...	...	...	...
91587	1001	" " " " " Hinge Pin	...	...	...	...	...
91746	997	" " " " " Retaining Spring	...	...	...	...	...
1650c	1338	" " " " " Lock Nut	...	...	...	...	...
NX21d	1338	" " " " " Thumb Nut	...	...	...	...	...

No.	Plate	
91747	-	<b>Presser Bar Gripping Bracket</b> , complete, Nos. 430d, 4520r, 91587 and 91742 to 91745
91766	1000	<b>Presser Bar Lifter</b>
SS186d	1002	" " " " Hinge Screw
1518e	1003	" " " " " Nut
91767	997	" " " " Lifting Bracket with SS142c and 1259c
91696	1001	" " " " " Plate
190f	1002	" " " " " Binding Screw
1259c	1003	" " " " " Set Screw (front)
SS442c	1337	" " " " " " (side)
91768	-	" " " " " 91767 with 91696 and two 190f
91769	1000	" " " " " Cam
704e	1003	" " " " " Screw
SS355e	1003	" " " " " Screw Bushing
82430	998	" " " " " Spring (spiral)
8627	881	" " " " (flat) for Machine without Foot Lifter
91715	881	" " " " ( ) " " fitted with Foot Lifter
1539d	1003	" " " " ( ) Thumb Lock Nut
274d	1002	" " " " ( ) " " Screw
91770	1000	<b>Presser Foot</b>
SS65f	1002	" " " " " Screw
95093	1467	<b>Shuttle Bobbin</b>
95094	1467	" " " " " Cylinder
91042	1467	" " " " " Hinge Pin
91043	1467	" " " " " Latch Spring
574d	1002	" " " " " " " Screw
98619	1694	" " " " " Frame
95095	1467	" " " " " Tension Spring
SS377f	1467	" " " " " Adjusting Screw
98622	1691	<b>Shuttle</b> (Cylinder), 2½" diam., complete, Nos. SS377f, SS574d, 91042, 91043, 95093 to 95095 and 98619
<i>No. 98622 can only be used with No. 98612 and not with old style Shuttle Drivers</i>		
98612	1712	<b>Shuttle Driver and Feed Raising Cam</b>
11663	1001	" " " " " Pin
<i>No. 98612 can only be used with No. 98622 and not with old style Shuttles.</i>		
91451	827	<b>Shuttle Race</b> (Cast Iron)
91315	996	" " " " " Cap Spring
SS218d	1002	" " " " " " " Screw
91452	827	" " " " " Cover
91775	996	" " " " " Ring
SS318e	1002	" " " " " Position Screw Stud (2)
91776	1004	<b>Solution Box</b> with 465al
91777	1004	" " " " " Cover
2117	1329	" " " " " Hinge Pin
80106	1329	" " " " " Latch Spring

No.	Plate	
219f	1002	<b>Solution Box</b> Cover Latch Spring Screw
82462	1329	" " " " " " " Washer
81622	-	" " " " " Thread Eyelet Rod
81150	-	" " " " " Wire
84151	1004	<b>Solution Box Thread Eyelet</b> , complete, Nos. 84150 and 81622
465al	1003	" " " " " Set Screw
91778	1004	" " " " " Guide
91779	1004	<b>Solution Box</b> , complete, Nos. 219f, 80106, 82462, 84151, 91776 to 91778 and two 2117
SS38c	1002	<b>Solution Box Screw</b>
SS391e	1003	<b>Tension Screw Stud</b>
1560d	1003	" " " " " Regulating Thumb Nut
82445	998	" " " " " Spring
82446	998	" " " " " Washer (Felt)
82447	998	" " " " " (Steel)
82448	998	" " " " " Wheel
91780	-	<b>Tension</b> , complete, Nos. SS391e, 1560d, 82445, 82448, two each 82446 and 82447
82450	997	<b>Thread Eyelet</b>
SS50f	1002	" " " " " Screw
91781	997	<b>Thread Guard</b>
201d	1002	" " " " " Screw
91794	1001	<b>Thread Retainer</b>
180f	1337	" " " " " Screw
91782	998	<b>Thread Retaining Spring</b>
1323f	1003	" " " " " Adjusting Screw
91783	998	" " " " " Plate
91784	998	" " " " " Position Pin
94849	1334	<b>Thread Take-up Cam</b> with SS320c and SS370c
SS320c	1002	" " " " " Set Screw
SS370c	1003	" " " " " Timing Screw
94850	-	" " " " " 94849 with 91769 and two 704c
91505	-	<b>Thread Take-up Lever</b>
SS22f	1002	" " " " " Hinge Screw
92814	999	" " " " " Roller
RR24	1003	" " " " " " and Stud
1519c	1338	" " " " " " " Nut
SS328c	1002	" " " " " " " Screw
91507	998	<b>Thread Take-up Lever</b> , complete, Nos. RR24, SS328c, 1519c, 91505 and 92814
91787	999	<b>Thread Take-up Lever</b> (Auxiliary)
SS384d	1003	" " " " " ( ) Hinge Screw
1620c	1003	" " " " " ( ) " " Nut
RR17	1003	" " " " " ( ) Roller and Screw Stud

No.	Plate	
92814	999	<b>Thread Take-up Lever</b> (Auxiliary) Thread Roller ... ..
1247f	1003	" " " ( " ) " " Screw ... ..
91788	1000	" " " ( " ) " " Stud ... ..
91789	-	<b>Thread Take-up Lever</b> (Auxiliary), complete, Nos. 1247f, 91787, 91788 and 92814 ... ..
91790	1001	<b>Throat Plate</b> ... ..
180f	1337	" " Screw (2) ... ..
91791	1001	" " <b>Boot Sole Guide</b> ... ..
207f	1002	" " " " " Screw ... ..
91653	1329	" " " " " Steady Pin (2) ... ..
91589	1330	" " <b>Needle Guard</b> ... ..
202f	1002	" " " " " Screw ... ..
91653	1329	" " " " " Steady Pin ... ..
91792	1001	<b>Throat Plate</b> , complete, Nos. 202f, 91589, 91790, 91791, two 207f and three 91653 ... ..
91793	-	<b>Work Plate</b> ... ..
SS39d	1002	" " " " " Screw ... ..

*NOTE:—No. 91793 is supplied only when specified on order and at an extra charge.*

## Heating Tube

*NOTE:—This Heating Tube may be used on No. 45K68 Machine, but is only supplied when specified on order and is charged extra.*

No.	Plate	
94991	1335	<b>Heating Tube</b> ... ..
91363	1329	" " <b>Position Bracket</b> (for arm, back) ... ..
91641	1000	" " " " " ( " bed) ... ..
180f	1337	" " " " " Screw ... ..
91533h	1333	" " <b>Lower Flame Guard Plate</b> ... ..
180f	1337	" " " " " " " Screw ... ..
94980	-	<b>Heating Tube</b> , 94991, with 91363, 91533h, 91641 and five 180f

## PARTS SPECIAL TO No. 45K69 MACHINE

**Drop Feed, Cylinder Bed, Needle Bar Cam, Compound Take-up and High Lift. For Stitching Soles up to  $\frac{5}{8}$ " in thickness. Has Throat Plate fitted with Knife for forming a Channel for the Lower Thread. Length of Stitch up to  $\frac{1}{4}$ ".**

**Regularly furnished with Gas Heating Device for Hot Wax Stitching.**

*This machine is the same as No. 45K68, with the following exceptions:—*

No.	Plate	
94629	1336	<b>Balance Wheel</b> , with two 434c (for use in conjunction with Column Stands Nos. 94546 and 94547) ... ..
95131	-	<b>Face Plate</b> , complete, Nos. 1761, 204d, 13231, 82551, 91761, 91780 to 91784 and 95132 to 95134 ... ..
95101	1328	<b>Feed Dog</b> ... ..
94991	1335	<b>Heating Tube</b> ... ..
91363	1329	" " <b>Position Bracket</b> (for arm, back) ... ..
91641	1000	" " " " " ( " bed) ... ..
180f	1337	" " " " " Screw ... ..
91533h	1333	" " <b>Lower Flame Guard Plate</b> ... ..
180f	1337	" " " " " " " Screw ... ..
94980	-	<b>Heating Tube</b> , 94991, with 91363, 91533h, 91641 and five 180f
98632	1744	<b>Presser Foot</b> ... ..
82551	1329	<b>Thread Controlling Lever</b> ... ..
95132	1330	" " " " " Spring ... ..
95133	1330	" " <b>Guide for Tension</b> ... ..
95134	1330	" " " " " <b>Thread Controlling Lever</b> ... ..
1761	1002	" " " " " Screw ... ..
95110	1328	<b>Throat Plate</b> ... ..
95111	1330	" " <b>Channeling Knife</b> (small) ... ..
95112	-	" " " " " (medium) ... ..
95113	-	" " " " " (large) ... ..
721f	1337	" " " " " <b>Set Screw</b> ... ..
95114	1328	" " <b>Packing</b> ... ..
180d	1337	" " " " " Screw ... ..
180f	1337	" " " " " Screw ... ..
38678	-	" " <b>Steady Pin</b> ... ..
95115	-	<b>Throat Plate</b> , complete, Nos. 721f, 95110 to 95114 and two 180d

# PARTS SPECIAL

TO

## No. 45K71 MACHINE

(OBSOLETE)

**Drop Feed, Cylinder Bed, Needle Bar Cam, Compound Take-up, High Lift and Climbing Presser. Fitted with Hand Attachment. For Stitching Soles up to  $\frac{3}{8}$ " in thickness.**

*This machine is the same as No. 45K68, with the following exceptions:*

No.	Plate	
*95171		<b>Arm</b> with 446c, 82499 and 82549 ... ..
95172		<b>Balance Wheel</b> (three speed) with two 434c ... ..
95173	1332	" " <b>Gear</b> ... ..
143e	1337	" " " <b>Screw</b> ... ..
95174		<b>Balance Wheel</b> , complete, Nos. 95172, 95173 and three 143e ...
*95175		<b>Bed</b> ... ..
95176	1328	<b>Hand Attachment Bevel Pinion</b> ... ..
2117	1329	" " " " <b>Pin</b> ... ..
95177	1328	" " " " <b>Shaft</b> ... ..
95178	1328	" " " " " <b>Bushing</b> ... ..
1299c	1337	" " " " " " <b>Set Screw (2)</b> ... ..
95179	1332	" " " " <b>Frame</b> with four 1299c ... ..
95180	1332	" " " " <b>Gear Guard</b> ... ..
966e	1337	" " " " " <b>Screw (2)</b> ... ..
81865	1336	" " " " <b>Hand Wheel</b> with two 434c ... ..
81866	1334	" " " " " <b>Handle (Wood)</b> ... ..
SS135d	1337	" " " " " " <b>Spindle</b> ... ..
1519d	1338	" " " " " " <b>Nut</b> ... ..
434c	1003	" " " " " <b>Set Screw</b> ... ..
SS38e	1002	" " " " <b>Screw (2)</b> ... ..
1299c	1337	" " " " <b>Set Screw (2)</b> ... ..
95181	1332	<b>Solution Box</b> with 465al ... ..
95182	—	<b>Solution Box</b> , complete, Nos. 219f, 80106, 82462, 84451, 91777, 91778, 95181 and two 2117 ... ..
2117	1329	<b>Solution Box Dowel Pin</b> ... ..

## Accessories

No.	Plate	
86246	1334	<b>Gauge</b> (for grooving the channel in boot soles) for 45K68 and 45K71 Machines
		<b>Instruction Book</b> ... ..
51077e	996	<b>Machine Bolt</b> with 1524e (3" x $\frac{1}{4}$ ) (4) ... ..
1524e	1338	" " <b>Nut</b> ... ..
6055	996	" " " <b>Washer (4)</b> ... ..
		<b>Needles (6)</b> ... ..
120342	1600	<b>Order</b> ... ..
86614	1600	<b>Screw Driver (large)</b> ... ..
120378	1000	" " (small) ... ..
95093	1260	<b>Shuttle Bobbin (2)</b> ... ..
8908	1331	<b>Wrench</b> ... ..

## Bobbin Winder (Eccentric)

FOR 45K68 MACHINE

No.	Plate	
80817		<b>Eccentric</b> ... ..
SS469d	1002	" <b>Thumb Screw</b> ... ..
82470	1004	<b>Frame</b> ... ..
SS56d	1002	" <b>Screw</b> ... ..
5960	1331	<b>Friction Wheel (Leather)</b> ... ..
5961	1331	" " <b>Washer</b> ... ..
333r	1002	" " " <b>Screw</b> ... ..
82471	1004	<b>Spindle</b> ... ..
5963	1331	" <b>Flange</b> ... ..
82473	1004	<b>Bobbin Winder</b> , complete, Nos. SS56d, 333r, SS469d, 5960, 5961, 5963, 80817, 82470 and 82471 ... ..



## Bobbin Winder

### FOR 45K69 MACHINE

No.	Plate	
95116	1335	Base
95117	1330	Bobbin Position Pin
95118		Hand Wheel with 448c
8380	1334	" " Handle (Wood)
11762	1330	" " " Stud
8382	1000	" " " " Washer
11761		" " " complete, Nos. 8380, 8382 and 11762
448c	1003	" " Set Screw
95155	1335	Hand Wheel, complete, Nos. 11761 and 95118
58826	1330	Heater (Brass)
58827	1330	" Pipe (Brass)
		Screw (Wood), 1 $\frac{1}{4}$ " No. 14 (for fixing to table)
58829	1329	Spindle
457c	1337	" Set Screw
95119	1334	" Shaft with 457c and 95117
95120	1335	" " Bracket
1396e	1337	" " " Screw
58835	1334	Threading Wire
95121	1335	Wax Box
95166	1335	" " Cover (for Water Container)
1396e	1337	" " Screw
95122	1335	" " Tension Bracket
58800	1330	" " " " Roller
1042c	1337	" " " " " Screw
95123	1334	" " " " Thread Retaining Spring
2269	1329	" " " " " " " Steady Pin
50053d	1002	" " " " " " " Thumb Screw
58833	1330	" " " " " " Stripper (Rubber)
50310e	1337	" " " " " " " Regulating Screw
771d	1337	" " " " " " Thumb Screw
95124		<b>Bobbin Winder</b> , complete, Nos. 1042c, 2269, 50053d, 50310e, 58800, 58826, 58827, 58829, 58833, 58835, 95116, 95119 to 95123, 95155, 95166, two 771d, six 1396e and two Wood Screws, 1 $\frac{1}{4}$ " No. 14

## Bobbin Winder

### FOR 45K69 MACHINE ON COLUMN STAND

*This Bobbin Winder is the same as No. 95124, with the following exceptions:*

No.	Plate	
95089		Base
371e	1337	Screw (for attaching to Column Stand)
95090		<b>Bobbin Winder</b> , complete, Nos. 1042c, 2269, 50053d, 50310e, 58800, 58826, 58827, 58829, 58833, 58835, 95089, 95119 to 95123, 95155, 95166, two each 371e, 771d and six 1396e
95092		<b>Bobbin Winder and Thread Unwinder</b> , complete, Nos. 95090 and 95091



## Bobbin Winder (Friction)

### FOR 45K71 MACHINE

No.	Plate	
91719		Frame ... ..
32d	1337	" Hinge Screw ... ..
5960	1331	Friction Wheel (Leather) ... ..
5961	1331	" " Washer ... ..
333r	1002	" " " Screw ... ..
91446		Spindle with 15072 ... ..
15072	1000	" Bobbin Position Pin ... ..
5963	1331	" Flange ... ..
91725	1333	Frame, complete, Nos. 333r, 5960, 5961, 5963, 91446 and 91719
82537	1329	Spring ... ..
161d	1337	" Screw ... ..
82538	1329	" " Washer ... ..
95183	---	<b>Bobbin Winder</b> , complete, Nos. 32d, 161d, 82537, 82538 and 91725 ... ..

## Spirit Box and Tube

### FOR HEATING THE SHUTTLE

### FOR 45K68 and 45K69 MACHINES

No.	Plate	
91632	1333	Spirit Box with 91636 ... ..
91633	1333	" " Cover with 91634 ... ..
69d	1337	" " " Hinge Screw ... ..
91634	1333	" " " Knob ... ..
91635	1329	" " " Latch Spring ... ..
91636	1329	" " " " " Position Pin ... ..
219f	1002	" " " " " Screw ... ..
82462	1329	" " " " " Washer ... ..
91637	1333	<b>Spirit Box</b> , complete, Nos. 69d, 219f, 82462, 91632, 91633 and 91635
180d	1337	Spirit Box Screw ... ..
91638	1333	" " Tube ... ..
91032		" " " Wick ... ..
1662e	1338	" " " Lock Nut ... ..
91641	1000	" " " Position Bracket ... ..
180f	1337	" " " " " Screw ... ..
91640	1000	" " " Stop Bracket with 175f ... ..
175f	1000	" " " " " Clamping Screw ... ..
91639	1333	" " " Thimble ... ..
91642	---	<b>Spirit Box Tube</b> , complete, Nos. 1662e, 91032, 91638 to 91641 and two 180f ... ..
91643	---	<b>Spirit Box and Tube</b> , complete, Nos. 91637 and 91642 ... ..

## Thread Unwinder

### FOR 45K69 MACHINE

No.	Plate	
27623	1336	Spool Pin
84148	1336	" Rest with 448c
95126	1336	" Weight, 4" diam. <i>(only supplied when specified on order)</i>
27625	1336	Thread Eyelet Rod
448c	1003	" " " Set Screw
27626	1336	" " " Wire
27627	—	Thread Eyelet, complete, Nos. 27625 and 27626
—	—	Screw (Wood), 1½" No. 10 (for fixing to Table)
95125	1336	<b>Thread Unwinder</b> , complete, Nos. 27623, 27627, 84148 and two Wood Screws 1½" No. 10

## Thread Unwinder

### FOR 45K69 MACHINE ON COLUMN STAND

*This Thread Unwinder is the same as No. 95125, with the following exceptions:—*

No.	Plate	
51071e	1002	Screw (for attaching to Column Stand)
95091	—	<b>Thread Unwinder</b> , complete, Nos. 27623, 27627, 84148 and two 51071e

## Foot Lifter

No.	Plate	
91716	1333	Arm Lever
691d	1337	" " Hinge Screw
91457	755	Foot Lever with 176c
91459	755	" " Bracket
17881	755	" " " Hinge Pin
—	—	" " " Wood Screw 1" No. 12
91458	755	" " " Extension
176c	1002	" " " Set Screw
98626	755	" " Spring
91454	—	Foot Lever only, complete, Nos. 17881, 91457, to 91459, 98626 and two Wood Screws 1" No. 12
91453	755	Foot Lever Pitman Connecting Hook (7" long)
17877	755	" " " Rod (lower)
17878	755	" " " " (upper)
17879	755	" " " " Clamp with two 161d
161d	1337	" " " " " Screw
17880	755	Foot Lever Pitman Rod, complete, Nos. 17877 to 17879
91455	—	Foot Lever, complete, Nos. 17880 and 91454
91456	—	<b>Foot Lifter</b> , complete, Nos. 691d, 91453, 91455 and 91716

## Driving Attachment

### FOR 45K69 MACHINE

No.	Plate	
91473	861	Balance Wheel with 434c, 451c, 91475 and four 402c
434c	1003	" " Set Screw (long)
451c	1337	" " " " (short)
91474	861	" " Friction Pulley (two-speed) with 448c and 91294
448c	1003	" " " " Set Screw
91294	861	" " " " Centre Bearing
91475	861	" " " " Ring (Cardboard)
402c	1337	" " " " " Screw
91296	755	Starting Lever
91297	755	" " Bracket
91298	1330	" " " " Hinge Pin
—	—	" " " " Wood Screw 1½" No. 15
91299	755	Starting Lever, Nos. 91296 to 91298 and three Wood Screws 1½" No. 15
17877	755	Starting Lever Pitman Rod (lower)
17878	755	" " " " (upper)
17879	755	" " " " Clamp with two 161d
161d	1337	" " " " " Screw
17880	755	Starting Lever Pitman Rod, complete, Nos. 17877 to 17879
91460	—	Starting Lever and Pitman, complete, Nos. 17880 and 91299
84275	—	Shaft Pulley (sectional, grooved), 10" diam., with two 597c
597c	1337	" " Clamping Screw
91301	861	Lever with 7958 and 91306
91302	861	" " Bracket
SS38c	1002	" " Screw
91303	861	" " Centre Plug (Wood)
427c	1337	" " " " Adjusting screw
1508e	1338	" " " " " " Nut
91306	—	" " Friction Pad (Leather)
693d	1337	" " Hinge Screw
NN28c	1338	" " " " Nut
91307	861	" " Spring
161d	1337	" " " " Screw
7958	1000	" " " " Pin
91309	—	Lever, complete, Nos. NN28c, 161d, 427c, 693d, 1508e, 91301 to 91303, 91307 and two SS38c
91478	—	Driving Attachment, complete, 84275, 91309, 91460, 91473 and 91474

## Obsolete Parts

No.	Plate	
91440	996	Oscillating Rock Shaft with 91025, 94972 and two 91026

### FOR COMPLETE SHUTTLE No. 91774

No.	Plate	
91771	999	Shuttle Cylinder
91772	999	" " Frame
91795	999	" " Tension Spring

### FOR COMPLETE SHUTTLE No. 95084

No.	Plate	
91040	999	Shuttle Bobbin
95080	1260	" " Cylinder
95081	1260	" " " " Latch Spring
220f	1337	" " " " " " Screw
95082	1260	" " Frame
95083	1260	" " Tension Spring

95186	1467	Shuttle Frame for 95096
95096	1467	Shuttle (Cylinder) 2½" diam., complete, Nos. 233f, SS377f, 91042, 91043, 95093 to 95095 and 95186
91748	999	Shuttle Driver and Feed Raising Cam